

Features

- Constructed of vitreous china
- 20-3/4"L x 18-1/4"W
- Wall-mount installation
- Single-hole drilling
- Includes wall hanger
- Drilled for concealed arm carrier and fixture-supported knee-control fitting

Recommended Accessories

- K-1808-P Wall-Mount Sink Brackets
- K-8998 P-Trap

Components

Additional included component/s: Hanger (2 required).



ADA CSA B651

Codes/Standards

ASME A112.19.2/CSA B45.1
All applicable US Federal and State material regulations
ADA
ICC/ANSI A117.1
CSA B651

KOHLER® One-Year Limited Warranty

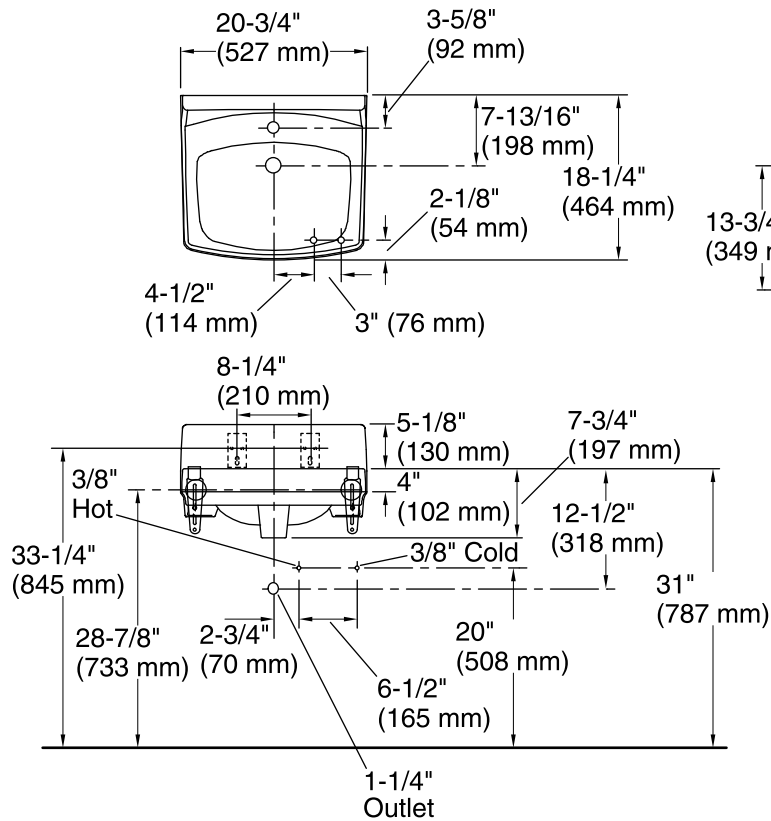
See website for detailed warranty information.

Available Color/Finishes

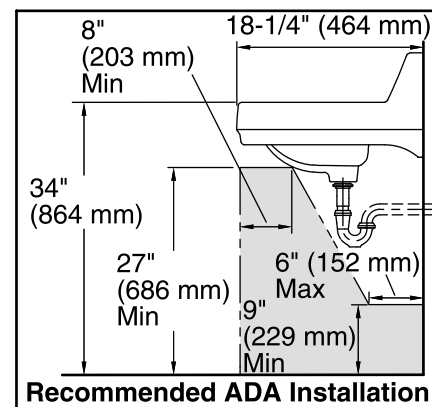
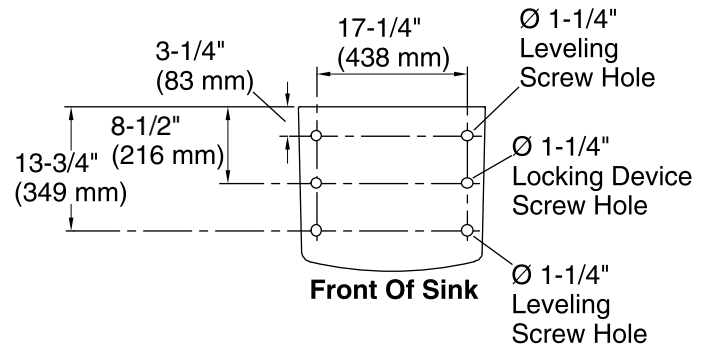
Color tiles intended for reference only.

Color	Code	Description
-------	------	-------------

	0	White
--	---	-------



Concealed Arm Hole Locations



Technical Information

All product dimensions are nominal.

Bowl configuration: Single
 Installation: Wall-mount
 Bowl area (Only): Length: 15" (381 mm)
 Width: 10" (254 mm)
 Bowl depth: 7-3/4" (197 mm)
 Water depth: 3-1/4" (83 mm)

Number of deck holes: 1
 Faucet hole(s): 1-3/8" (35 mm)
 Drain hole: 1-3/4" (44 mm)

Notes

Install this product according to the installation instructions.

ADA, CSA B651 compliant when installed to the specific requirements of these regulations.