



Underscore® Rectangle

66" x 32" bath w/Bask® and end drain
K-1821-W1

Features

- Bask® heated surface creates spa-like relaxation with soothing warmth on your back, shoulders, and neck.
- Customize the heat with three adjustable settings.
- Molded lumbar support offers extra comfort while bathing.
- Slotted overflow allows for deep soaking.
- End drain.

Material

- Acrylic.

Installation

- Undermount.
- Drop-in or undermount.
- Requires 110V electrical service.

Required Products/Accessories

K-7271 Brass Slotted Overflow Bath Drain

or

K-7272 PVC Slotted Overflow Bath Drain

Recommended Products/Accessories

K-1491 Bath/Whirlpool Pillow

K-1601 Bath/Whirlpool Footstop

K-550 Under-Mount Installation Kit

K-24916 Wireless Music Kit

K-1177 Vinyl Tiling-in Bead

K-23726 Drain treatment

K-23732 Tub & shower cleaner



Codes/Standards

ASME A112.19.7/CSA B45.10

CSA B45.5/IAPMO Z124

ASTM E162

ASTM E662

UL 1795

KOHLER® Plastic Baths and Receptors

Lifetime Limited Warranty

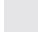






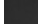
KOHLER® Hydrotherapy Components

Five-Year Limited Warranty

See website for detailed warranty information.

Available Colors/Finishes

Color tiles intended for reference only.

Color	Code	Description
	0	White
	96	Biscuit
	NY	Dune
	95	Ice™ Grey
	G9	Sandbar
	K4	Cashmere
	58	Thunder™ Grey
	7	Black Black™

1-800-4KOHLER (1-800-456-4537)

Kohler Co. reserves the right to make revisions without notice to product specifications.

For the most current Specification Sheet, go to www.kohler.com.

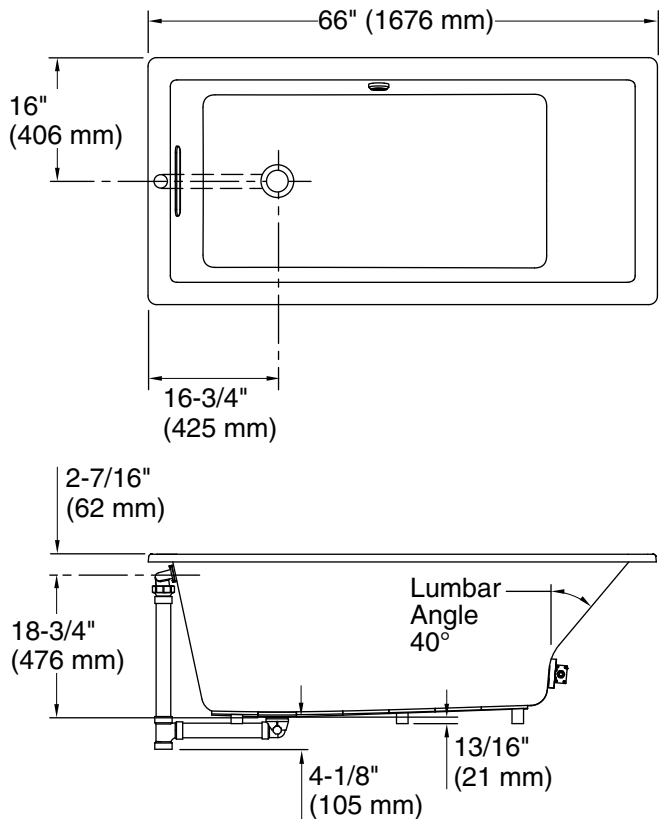
10-4-2020 05:04 - US/CA

THE BOLD LOOK
OF **KOHLER**®

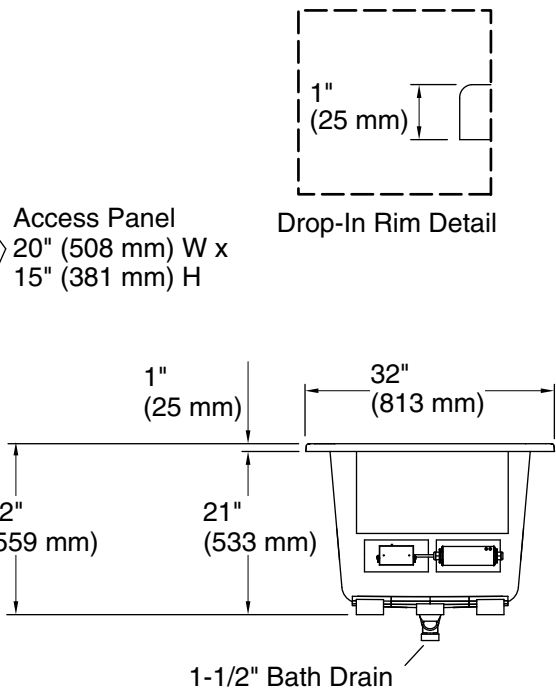


Underscore® Rectangle

66" x 32" bath w/Bask® and end drain
K-1821-W1



No change in measurement if connected with drain illustrated. (K-7272)



Required Electrical Service

One circuit required, protected with Class A Ground-Fault Circuit-Interrupter (GFCI). Outside North America, this device may be known as a Residual Current Device (RCD).

Heated Surface: 120 V, 15 A

Technical Information

All product dimensions are nominal.

- Installation: Drop-in, Under-mount
- Drain location: End
- Basin area, bottom: 44-1/2" x 22-5/16" (1130 mm x 567 mm)
- Basin area, top: 59-5/8" x 25-1/2" (1514 mm x 648 mm)
- Weight: 92 lbs (41.7 kg)
- Minimum floor load: 50 lbs/ft² (244.1 kg/m²)
- Water depth: 18" (457 mm)
- Water capacity: 85.8 gal (324.8 L)
- Cutout: Drop-in, 64-1/2" x 30-1/2" (1638 mm x 775 mm)
- Electrical component rating: Heated Surface: 120 V, 0.5 A, 60 Hz, 65 W
- Minimum flat for door: 2-1/2" (64 mm)

Notes

Measure your actual product for rough-in details. Install this product according to the installation instructions.

The hot water supply should be 70% of the capacity of the bath or greater. Installations will vary.

Kit is required for under-mount installations (sold separately).