



Rhythm® Oval

Under-mount Bathroom Sink
K-2602

Features

- Oval basin.
- No faucet holes; requires wall- or counter-mount faucet.
- Available in Mirror French Gold or Satin Bronze finish.

Material

- 20-gauge stainless steel.

Installation

- Under-mount

Recommended Accessories

K-7114 Pop-Up Drain
K-7127 Drain
K-7129 Drain
K-8998 P-Trap

Components

Additional included component/s: 1193643 Basin Clamps, drain gasket, and tube.



ADA

Codes/Standards



ASME A112.19.3/CSA B45.4
ADA
ICC/ANSI A117.1

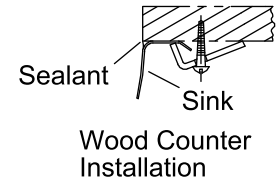
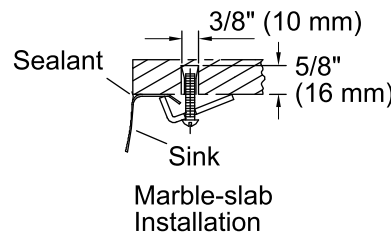
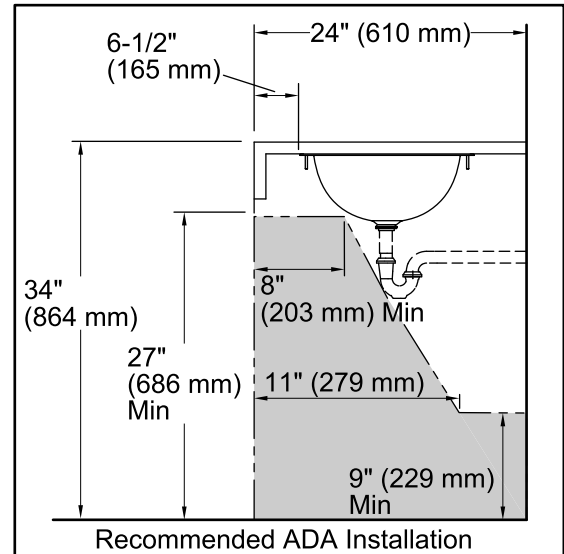
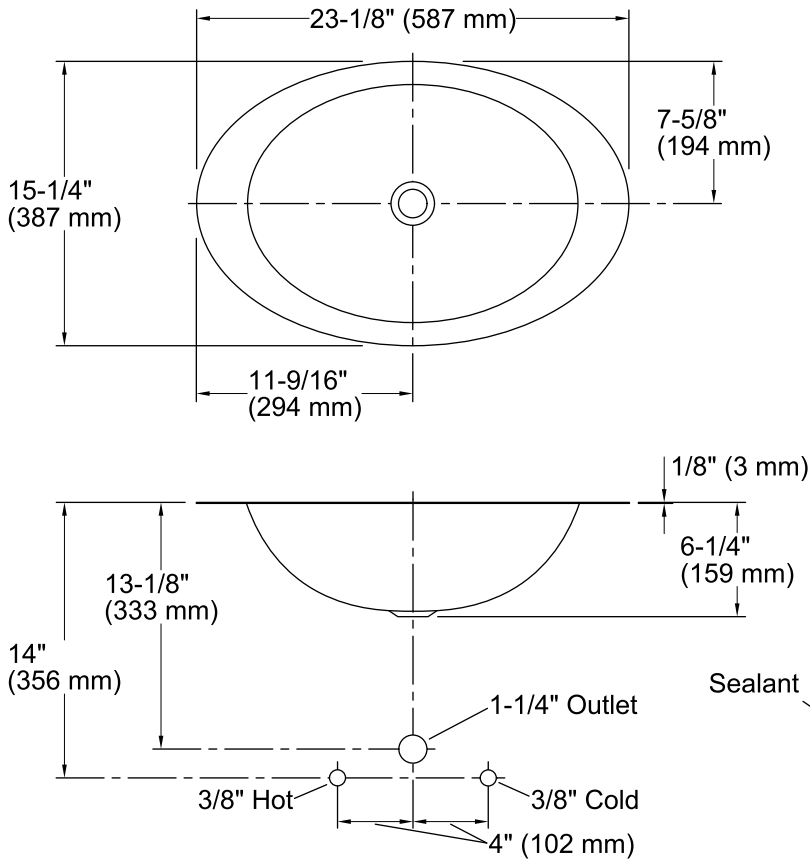
KOHLER® One-Year Limited Warranty

See website for detailed warranty information.

Available Color/Finishes

Color tiles intended for reference only.

| Color | Code | Description |
|--------------------------------------------------------------------------------------|------|--------------------|
|  | MF | Mirror French Gold |
|  | SBV | Satin Bronze |



Technical Information

All product dimensions are nominal.

| | |
|---------------------|-----------------------------------------------------------------------------|
| Bowl configuration: | Single |
| Installation: | Under-mount |
| Bowl area (Only): | Length: 18" (457 mm) Width: 13" (330 mm) Water depth: 5-7/8" (149 mm) |
| Drain hole: | 1-5/8" (41 mm) |
| Template: | 1000258-7, required, included |

Notes

Install this product according to the installation instructions.

Supplied basin clamp assembly requires 3/4" (19 mm) minimum countertop thickness. Installer must supply anchors for thinner countertops.

NOTICE: Countertop manufacturer or cutter must use the cut-out template provided by Kohler Co. (call 1-800-4-KOHLER). Kohler Co. is not responsible for cut out errors when the incorrect cut out template is used.

Waterproof the unprotected overhang area of the underside of the wood counter.

ADA compliant when installed to the specific requirements of these regulations.