

### Features

- Two-piece toilet.
- Elongated bowl offers added room and comfort.
- Comfort Height® feature offers a chair-height seat that makes sitting down and standing up easier for most adults.
- Left-hand nested trip lever offers a choice of 1.1 or 1.6 gallons per flush (gpf).
- 2-1/8-inch glazed trapway.
- Combination consists of the K-4373 bowl and the K-4458 tank.
- Seat not included.

### Technology

- Dual-flush technology allows you to choose between a full- or partial-flush.

### Installation

- Standard 10-inch rough-in.
- Three-bolt installation.

### Water Conservation & Rebates

- WaterSense® toilets meet strict EPA flushing guidelines, including using at least 20 percent less water than 1.6-gallon toilets.
- Eligible for consumer rebates in some municipalities.
- This product meets water savings requirements for Colorado SB 14-103.

### Recommended Accessories

K-4636 Cachet® Quiet-Close™ Elongated Toilet Seat  
 K-5588 Purefresh® Elongated Toilet Seat  
 K-4108 C3®-230 Elongated Cleansing Toilet Seat  
 K-5420 Low-Profile Bolt Caps  
 K-9237 Dual-flush Trip Lever  
 1023457 Wax Ring/Hardware Kit  
 1265114 Connector Hose

### Components

Product includes:

K-4458 Dual-Flush Tank  
 K-4373 Toilet Bowl

Additional included component/s: Bowl, Tank, Tank cover, Trip lever, and Bolt cap accessory pack.



**ADA** **CSA B651** **OBC**

### Codes/Standards





ASME A112.19.2/CSA B45.1  
 EPA WaterSense®  
 ADA  
 ICC/ANSI A117.1  
 CSA B651  
 OBC

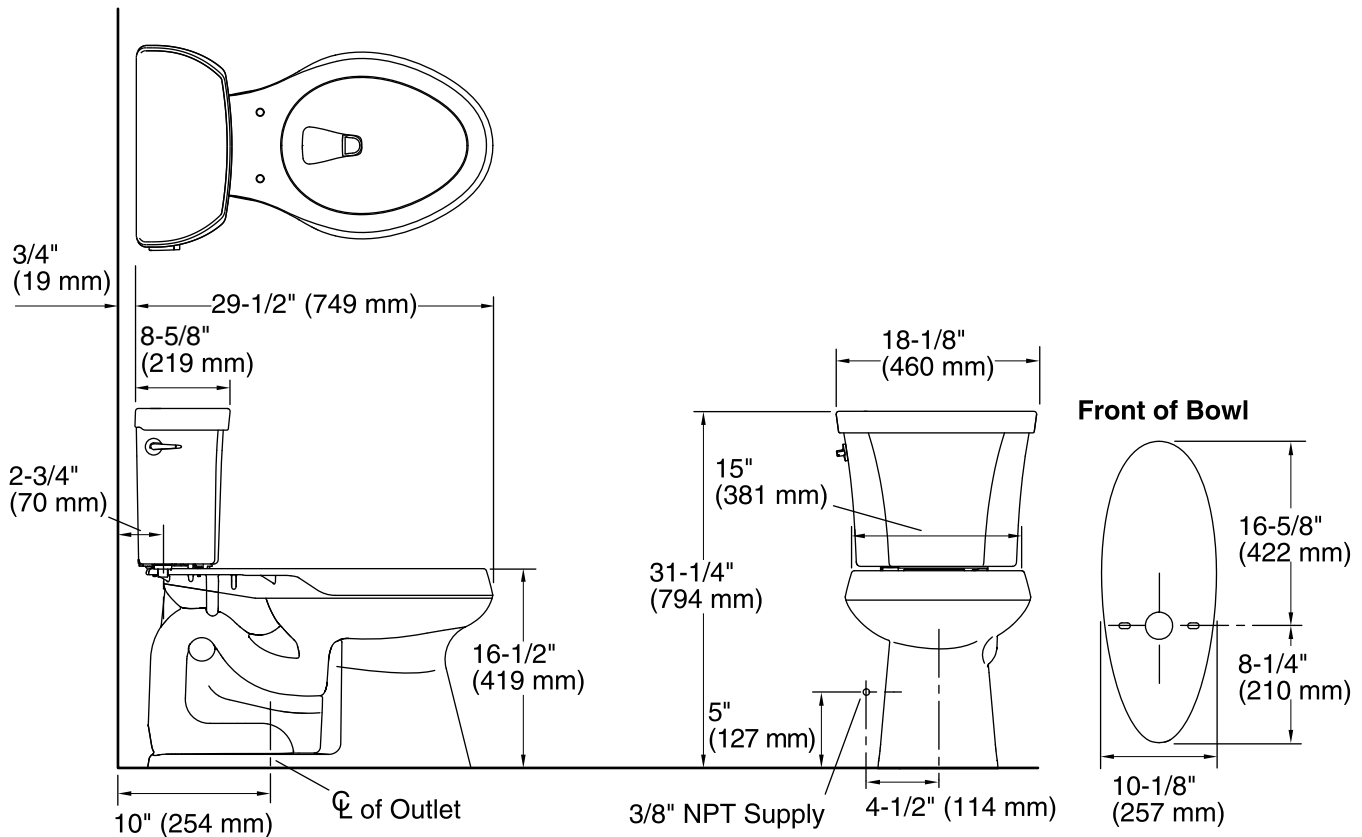
### KOHLER® One-Year Limited Warranty

See website for detailed warranty information.

### Available Color/Finishes

*Color tiles intended for reference only.*

Color	Code	Description
	0	White
	96	Biscuit
	47	Almond
	7	Black Black™



### Technical Information

All product dimensions are nominal.

Toilet type:	Two-piece, Floor-mount
Waste Outlet:	Floor
Bowl shape:	Elongated front
Flush type:	Class Five®
Trap passageway:	2-1/8" (54 mm)
Water surface size:	11-3/8" x 8" (289 mm x 203 mm)
Rim to water surface:	5-3/8" (137 mm)
Rough-in:	10
Seat-mounting holes:	5-1/2" (140 mm)

### Notes

Install this product according to the installation instructions.

The Model Plumbing Codes require the installation of elongated open-front toilet seats in public bathrooms.

ADA, OBC, CSA B651 compliant when installed to the specific requirements of these regulations.

Plumbing codes may require elongated toilets and elongated, open-front seats in public bathrooms.

Accessibility standards may require controls to be located on the open side of the toilet.