

## Features

- Comes included with the K-5287-NA Strive bar sink.
- Durable stainless-steel construction.
- Helps protect sink surface from daily wear.
- Dishwasher safe.
- Rubber feet provide added protection.

## Recommended Accessories

K-5287 Under-Mount Bar Sink



## Codes/Standards

None Applicable


## KOHLER® One-Year Limited Warranty

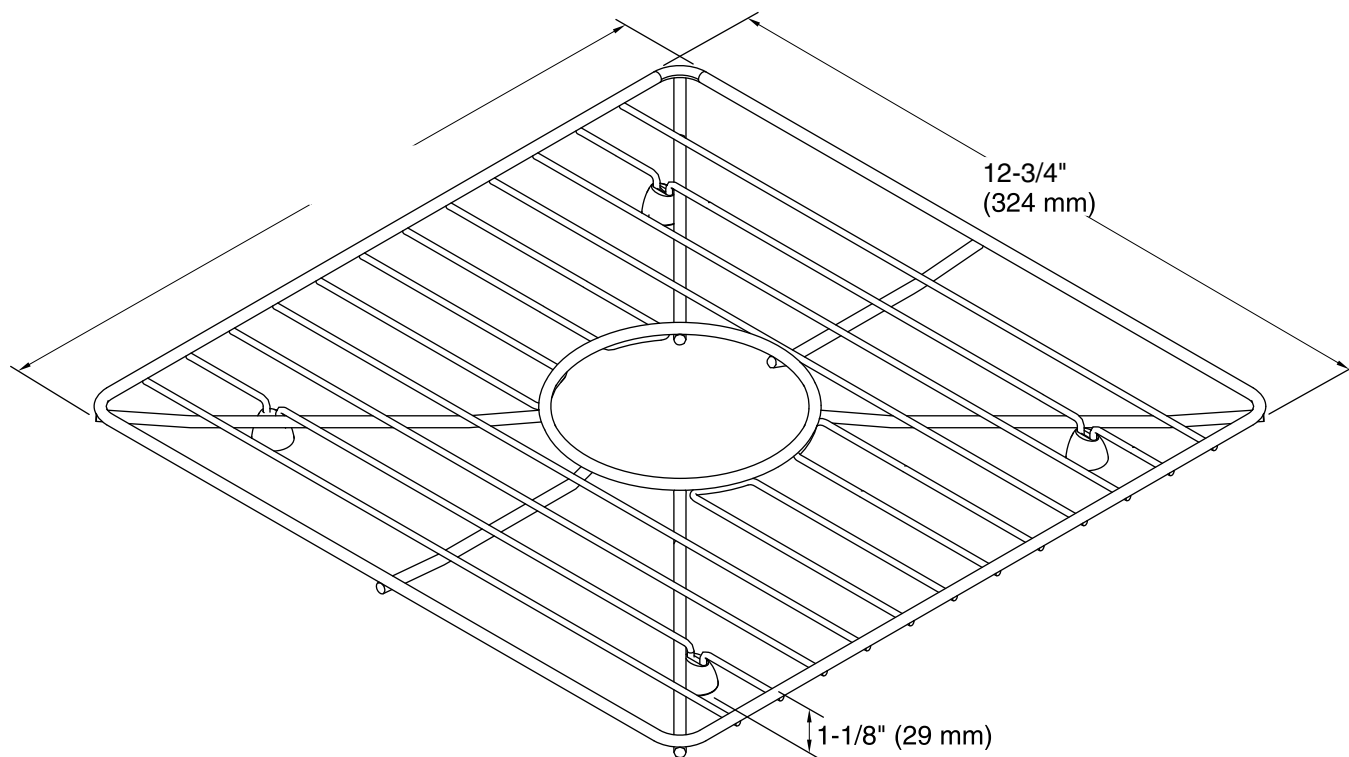
See website for detailed warranty information.

## Available Color/Finishes

*Color tiles intended for reference only.*

Color	Code	Description
-------	------	-------------

	ST	Stainless Steel
--	----	-----------------



## Technical Information

All product dimensions are nominal.