

### Technology

- Frameless, 5/16-inch-thick (8mm) Crystal Clear tempered glass.
- Left-hand door slides open; fixed panel on right.
- 11-inch geometric handle on both sides of the glass has a solid, heavy feel.
- Ultra-low threshold (9/16-inch) for easy entry and exit.
- Seals provide excellent water containment.
- Door catch closes door securely.
- CleanCoat® nanotechnology helps prevent bacteria, mildew and water stains on your glass, making it easy to clean and looking new.
- No exposed screws for a sleek, contemporary look.
- Available in Bright Polished Silver (SHP) finish.

### Installation

- Sliding shower door.
- Pre-assembled frame requires no cutting during installation.
- 3/4-inch width adjustability on each wall jamb, offering 1-1/2-inch total adjustability.
- Roller system adjustability for out-of-plumb fine-tuning.
- Not for use in hospitality.
- For residential use only.

### Recommended Products/Accessories

1296808 Torsion™ Door Filler Jamb

### Included Components

Additional Components:  
Hardware kit



### Codes/Standards

CPSC 16CFR 1201  
ANSI Z97.1

### KOHLER® One-Year Limited Warranty

See website for detailed warranty information.

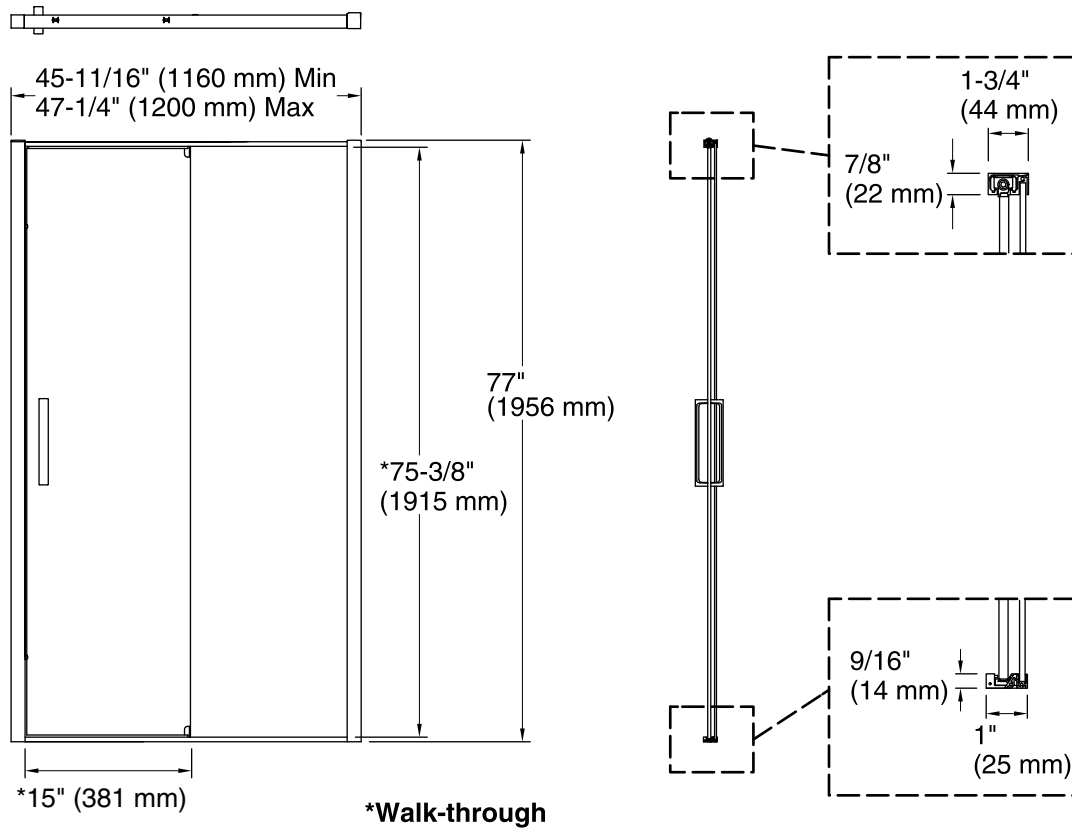
### Available Colors/Finishes

*Color tiles intended for reference only.*

| Color | Code | Description |
|-------|------|-------------|
|       | SHP  |             |

### Available Glass Options

| Code | Description   |
|------|---------------|
| L    | Crystal Clear |



## Technical Information

All product dimensions are nominal.

Installation type: For shower base installation

Opening Width - Min: 45-11/16" (1160 mm)

Opening Width - Max: 47-1/4" (1200 mm)

Walk-through - Min: 15" (381 mm)

Walk-through - Max: 15" (381 mm)

Glass thickness: 5/16" (8 mm)

Glass coating: CleanCoat®

## Notes

Install this product according to the installation guide.

The vertical opening should be a minimum of 80" (2032 mm) to allow for installation clearance.