

Features

- 6-3/4" (152 mm) vertical handle on both sides of the glass.
- CleanCoat® technology creates a protective barrier that repels water, prevents dirt and minerals from collecting, and makes it easier to remove hard water spots.

Material

- Frameless, 5/16" (8mm) thick Crystal Clear tempered glass.

Technology

- Premium, quick-release double rollers on top and bottom for quality feel and operation.
- Low threshold (1-3/4-inch) for easy entry and exit.
- Seals provide excellent water containment.
- Full-length magnetic strip keeps door firmly closed.
- No exposed screws for a sleek, contemporary look.
- Includes K-706147-FL-SHP fixed sliding door and K-706147-ML-SHP moving sliding door (ships separately).

Installation

- Sliding shower door.
- Door can be installed to open to the left or right to suit your bathroom layout.
- Twist & Lock wall jamb system locks into place with no cutting required.
- 1-3/16" (30 mm) width adjustability on each wall jamb, offering 2-3/8" (60 mm) total adjustability.
- Adjustable double rollers allow for out-of-plumb fine-tuning.
- Not for use in hospitality.
- For residential use only.

Recommended Products/Accessories

1296810 Aerie™ Door Filler Jamb
K-23723 Faucet cleaner

Included Components

Additional Components:
Hardware kit



Codes/Standards


ANSI Z97.1
CPSC 16CFR 1201

KOHLER® One-Year Limited Warranty

See website for detailed warranty information.

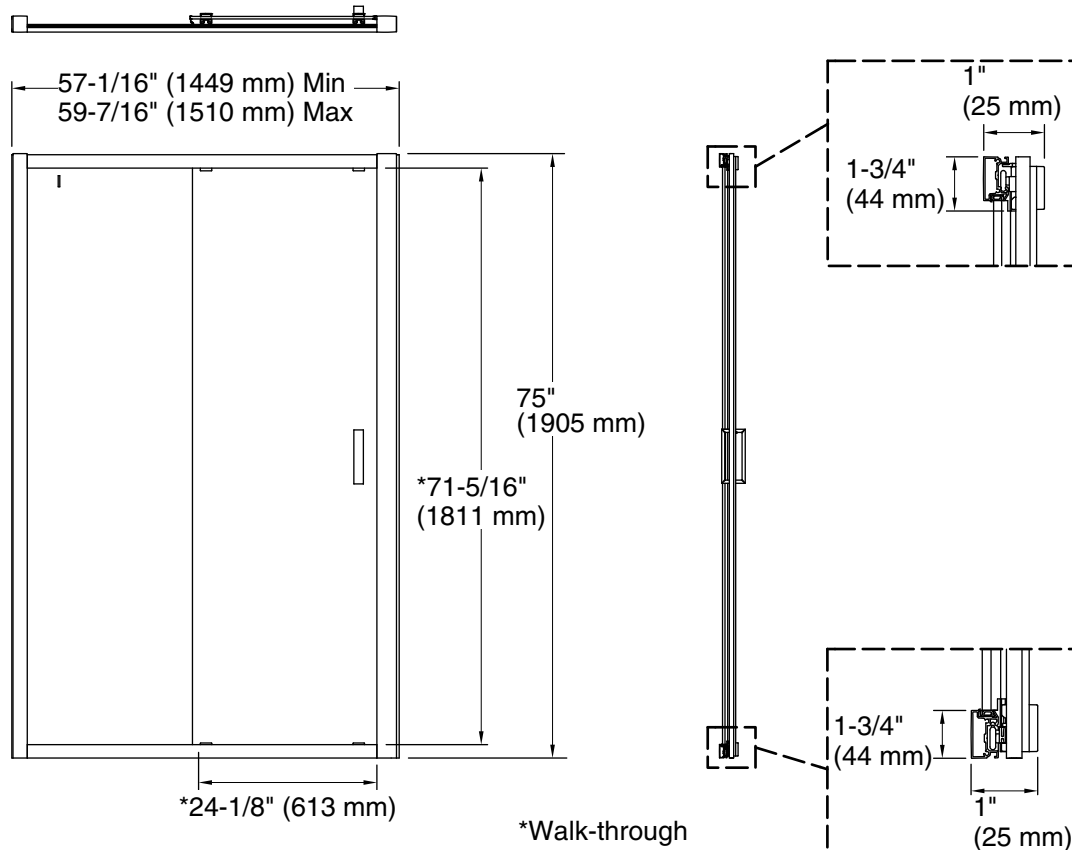
Available Colors/Finishes

Color tiles intended for reference only.

Color	Code	Description
	SHP	Bright Polished Silver

Available Glass Options

Code	Description
L	Crystal Clear



Technical Information

All product dimensions are nominal.

Installation type:	For shower base installation
Opening Width - Min:	57-1/16" (1450 mm)
Opening Width - Max:	59-7/16" (1510 mm)
Walk-through - Min:	24-1/8" (613 mm)
Walk-through - Max:	24-1/8" (613 mm)
Base-To-Wall Radius - Max:	1" (25 mm)
Glass thickness:	5/16" (8 mm)
Glass coating:	CleanCoat®

Notes

Install this product according to the installation guide.

The vertical opening should be a minimum of 78" (1981 mm) to allow for installation clearance.