



Drop-in/Under-mount Bathroom Sink S1201-0

Features

- Oval basin.
- No overflow.
- Luster finish.
- No faucet holes; requires wall- or counter-mount faucet.
- SilentShield® sound-absorption technology offers quieter performance.
- 16-3/4" (425 mm) x 11-3/4" (298 mm) x 5-1/2" (140 mm)

Material

- 20-gauge stainless steel.

Installation

- Drop-in or under-mount.

Components

Product includes:

1069536 Mounting Hardware for Under-mount Installation



Codes/Standards

None Applicable

STERLING® Warranty - Stainless Steel Sinks

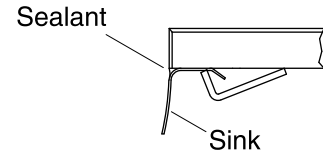
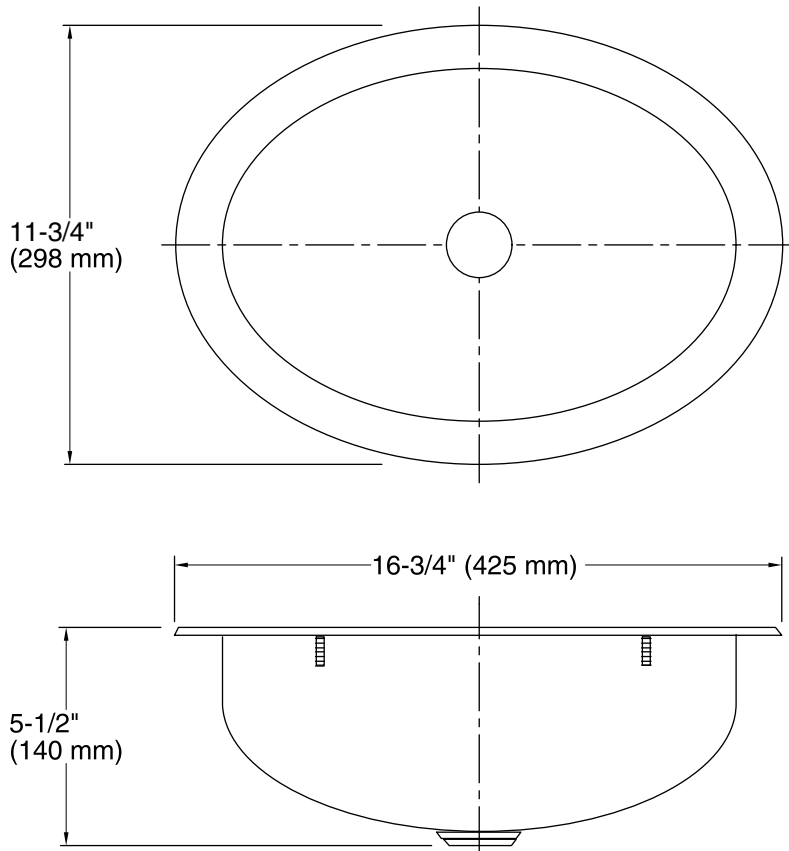
See website for detailed warranty information.

Available Color/Finishes

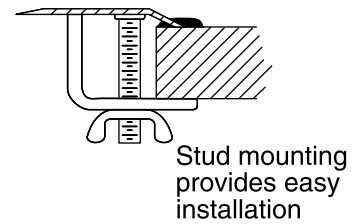
Color tiles intended for reference only.

| Color | Code | Description |
|-------|------|-------------|
|-------|------|-------------|

N/A



Under-mount Installation



Drop-in Installation

Technical Information

All product dimensions are nominal.

- Bowl configuration: Single
- Installation: Drop-in, Under-mount
- Bowl area (Only) Length: 14-11/16" (373 mm)
Width: 9-11/16" (246 mm)
Water depth: 4-1/2" (114 mm)
- Drain hole: 1-1/2" (38 mm)
- Template: 1033124-7, required, included

Notes

Install this product according to the installation instructions.

Measure your actual product for roughing-in details.