

OPTIK 6032 F

Model number:

105571

Dimensions: 60" x 32" x 23"

Installation: Freestanding

Material: Acrylic



Standard Features:

- Sleek 2-piece freestanding combines straight and curvaceous lines
- Inclined backrest, curvaceous inset armrests, deep bathing well
- Ample deck space for faucet installation
- End drain and 4 adjustable leveling legs
- Above-the-Floor Rough (AFR) and F² Drain compatible
- Apron available in standard colors and 5 designer colors

Product characteristics:

- Elegant design
- Integrated Armrest
- Deck Space for Faucet

Warranty:

25 Years

Standard colors:



White (001)



Bone (004)



Biscuit (007)

Certifications

MAAX products adhere to one or more of the following certifications:



Options (Visit our website for a complete list of our options)

| No | Description |
|------------------------------------|--|
| <input type="checkbox"/> OPT 10054 | Two chromatherapy lights |
| <input type="checkbox"/> OPT 10117 | Optional minimalist cushion (magnetic) |
| <input type="checkbox"/> OPT 10119 | Metal trim kit for Aerofeel |

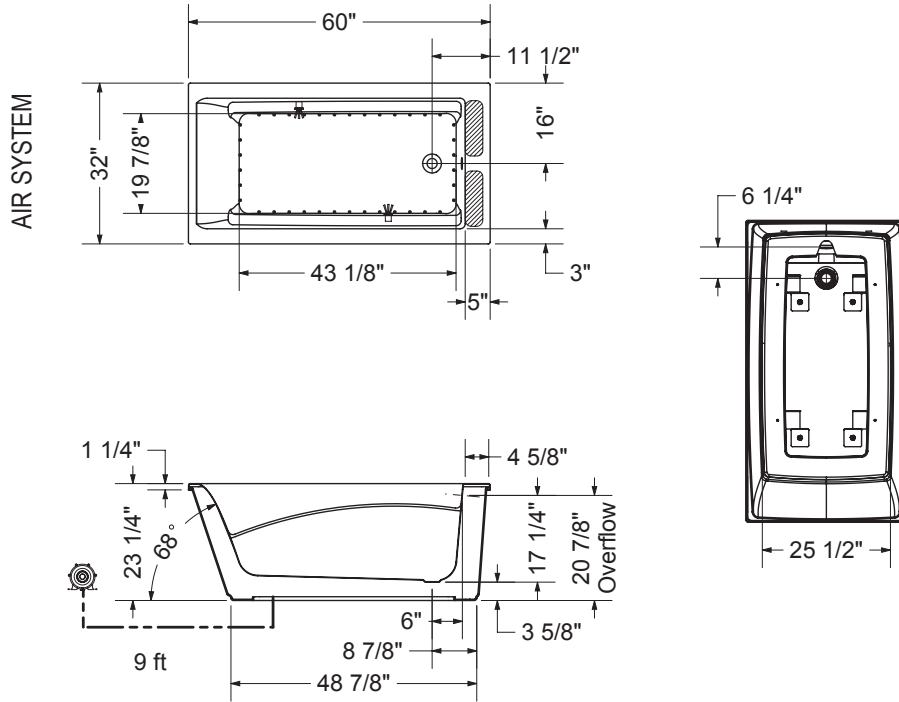
OPTIK 6032 F

Model number: 105571

Dimensions: 60" x 32" x 23"

Installation: Freestanding

Material: Acrylic



Dimensions:

60 x 32 x 23 in.
(1524 x 812 x 584 mm)

Weight:

135 lbs -

Drain location:

End

- (●) : Indicates airjets positioning
- (P) : Indicates chromatherapy light positioning
- ([hatched area]) : Recommended faucet area 2 sections of 12" (L) x 3 1/2" (W).

All dimensions are approximate. Structure measurements must be verified against the unit to ensure proper fit.

Project:

Contractor:

Representative:

Date:

Tel:

Notes: