

# Sax

**Model number:**

105797

**Dimensions:** 60" x 32" x 25"

**Installation:** Freestanding

**Material:** Fiberglass



## Standard Features:

- 2 piece – Transports and installs easily
- Above-the-Floor Rough (AFR) and F<sup>2</sup> Drain compatible
- End drain and 4 adjustable leveling legs
- Faucet installation can be deck-mounted or floor-mounted
- Unique feature: maximized bathing well with comfortable backrest

## Product characteristics:

- Transitional design
- Comfortable backrest
- Deck Space for Faucet

## Warranty:

5 Years

## Standard colors:



White (002)

## Certifications

MAAX products adhere to one or more of the following certifications:



## Options (Visit our website for a complete list of our options)

No	Description
<input type="checkbox"/> OPT 20137	Cable-operated waste and overflow
<input type="checkbox"/> OPT 20210	Waste and overflow

# Sax

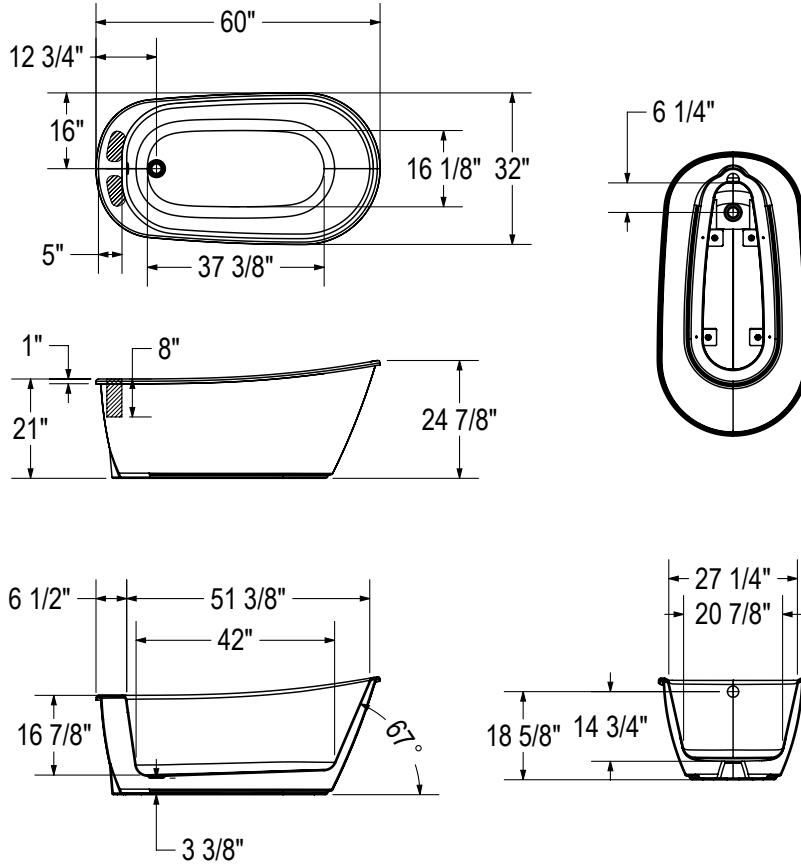
**Model number:**

**105797**

**Dimensions:** 60" x 32" x 25"

**Installation:** Freestanding

**Material:** Fiberglass



**Dimensions:**

60 x 32 x 25 in.  
(1524 x 813 x 635 mm)

**Weight:**

130 lbs -

**Drain location:**

End

(▨): Recommended faucet area 2 sections of 7" (L) x 3" (W).  
Depth recommended for straight pipes 8".

All dimensions are approximate. Structure measurements must be verified against the unit to ensure proper fit.

Project:

Contractor:

Representative:

Date:

Tel:

Notes: