

# Rubix 6030

**Model number:**

105815

**Dimensions:** 60" x 30" x 18"

**Installation:** Alcove

**Material:** Acrylic



## Standard Features:

- Rectangular shape bathtub in alcove installation
- Available in Above-the-Floor Rough (AFR) or not
- Right or left-hand drain
- Cubic design
- Integrated flat skirt and tiling flange

## Product characteristics:

- Maximized Bathing Well
- Integrated Tiling Flange and Skirt
- Utile Compatible

## Warranty:

25 Years

## Standard colors:



White (001)



Bone (004)



Biscuit (007)

## Certifications

MAAX products adhere to one or more of the following certifications:



## Recommended products (Visit our website for a complete list of our recommended doors)

No	Description
105409	Mika Sliding Tub Door 54 - 59 ½ x 55 in.
105410	Polar Sliding Tub Door 54-59 ½ x 57 # in.
134661	Kameleon SC Sliding Tub Door 55-59 x 57 in. 6 mm

## Options (Visit our website for a complete list of our options)

No	Description
<input type="checkbox"/> OPT 20137	Cable-operated waste and overflow

# Rubix 6030

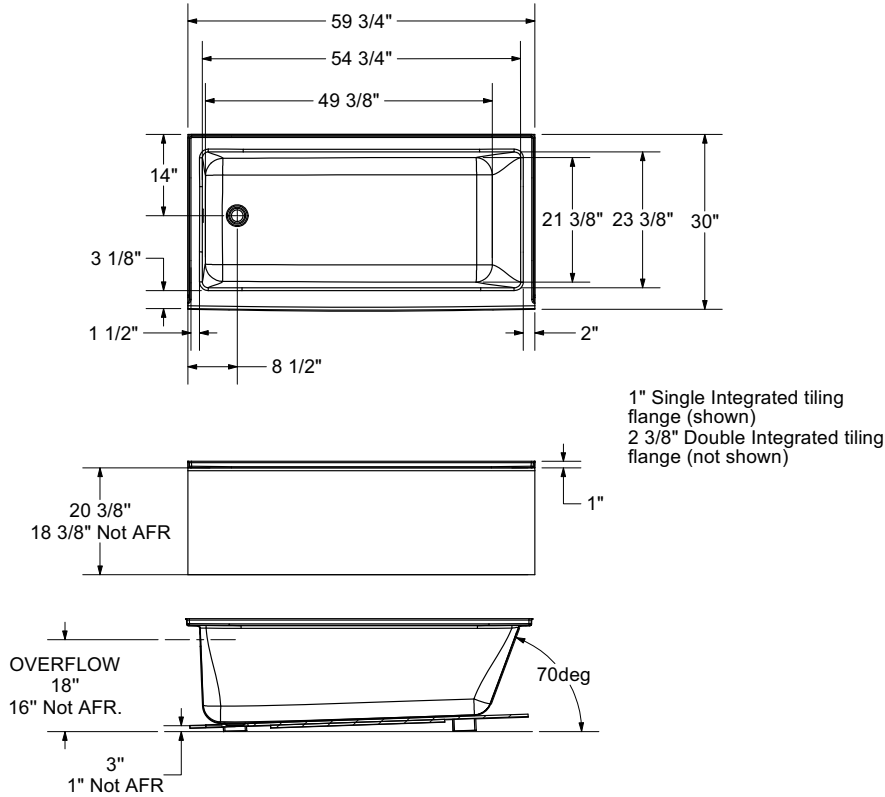
**Model number:**

**105815**

**Dimensions:** 60" x 30" x 18"

**Installation:** Alcove

**Material:** Acrylic



**Dimensions:**

59 3/4 x 30 x 18 3/8 in.  
(1518 x 762 x 467 mm)

**Weight:**

77 lbs -

**Drain location:**

Left

Right

Wood support design may vary.  
Single Integrated tiling flange: 1" height x 1/4" thickness (shown)  
Double Integrated tiling flange: 2 3/8" height (not shown)  
All dimensions are approximate. Structure measurements must be verified against the unit to ensure proper fit.

Project:

Contractor:

Representative:

Date:

Tel:

Notes: