

Kelsey Technical Specification

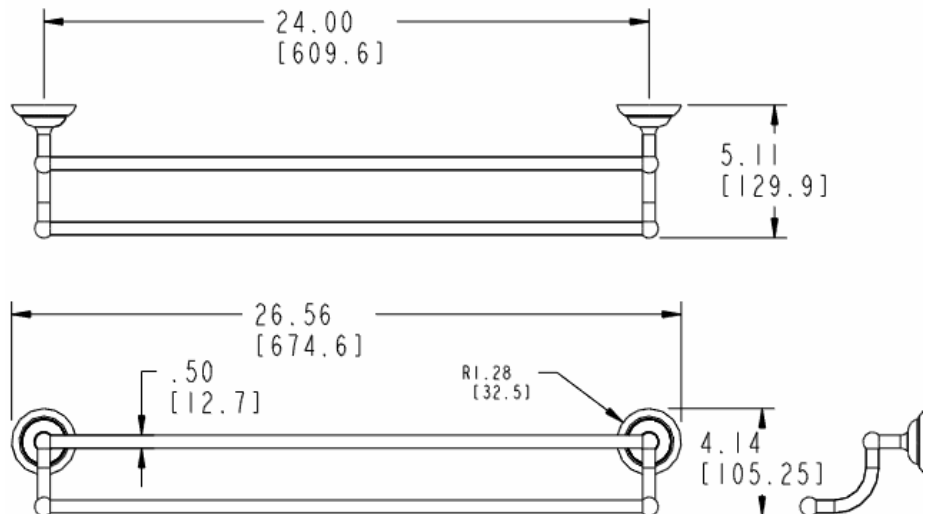
Double Towel Bar

DN6322

Stock Numbers:

- q **DN6322BNV – 24" Double Towel Bar**
Brushed Nickel & Ivory Finish
Concealed Screw Mounting
½" Round Bar

Dimensions:



Materials:

Double Towel Bars are constructed of zinc (posts), ceramic (disc), and aluminum (bar).

Installation Instructions:

1. Mounting hardware is included in the package.
2. Position the assembled unit on the wall where desired.
3. Lightly mark the outline of each base.
4. Remove the mounting brackets from back of the fixture by loosening the set screws with the hex wrench provided.
5. Center a mounting bracket within each base outline.
6. Mark the hole locations of each mounting bracket.
7. Drill a ¼ inch hole at each location.
8. Insert the supplied plastic wall anchor into each drilled hole by lightly tapping it in flush. Note: Mounting into wood studs is recommended whenever possible.
9. Attach each mounting bracket to the wall, by using the mounting bracket screws.
10. Place the assembled product over the mounting bracket with the set screw facing down.
11. Tighten the set screw with supplied hex wrench to secure the assembly to the brackets.

Cleaning Instructions:

To preserve the fine finish of this product, clean only with a soft damp cloth. Dry well. Do not use commercial or abrasive cleaners.

Stock Number: _____ **Double Towel Bar**
By CSI Bath Furnishings

