

Addington Technical Specification

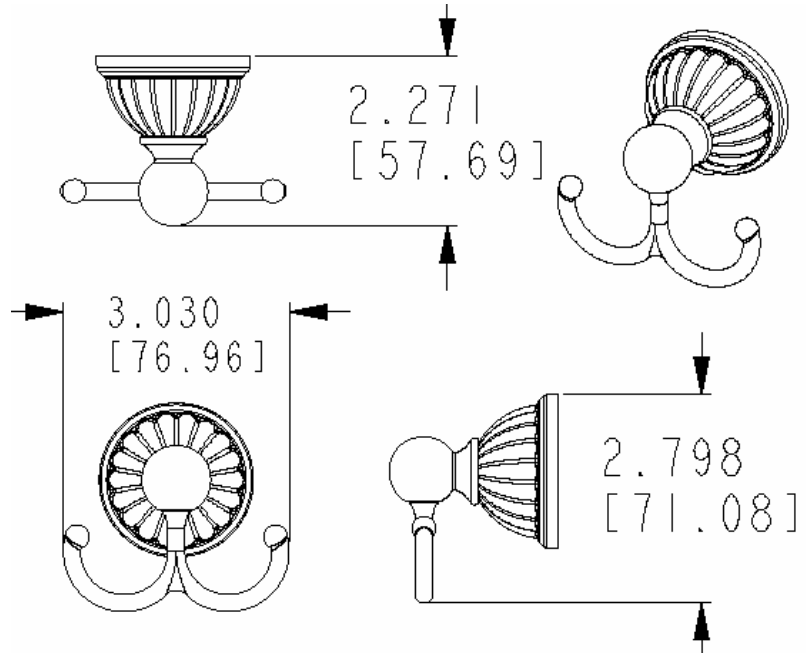
Robe Hook

DN8103

Stock Numbers:

- q **DN8103AZ – Robe Hook**
Antique Bronze Finish
- q **DN8103BN – Robe Hook**
Brushed Nickel Finish

Dimensions:



Materials:

Robe Hook is constructed of zinc.

Installation Instructions:

Directions below are for installation into drywall. If installing product into a stud, use the wood screws and washers provided only.

1. Position the EZ 2 Install Mounting System wall bracket on the wall at desired location with the word "UP" facing you and upright; mark both vertical hole locations checking to ensure that the vertical holes are level
2. Drill 2 holes as marked using 5/16" drill bit
3. Fold ends of the plastic toggle anchor together and insert into each hole in the wall.
4. Lightly tap anchors until flush with the wall.
5. One at a time, insert plastic pin into each anchor and lightly tap to activate anchor. Remove pin and repeat on other anchor.
6. Secure the EZ 2 Install wall bracket to the wall by inserting 2 screws through the wall bracket holes and into the anchors. Tighten screws.
7. Place product post over EZ 2 Install wall bracket and slide down to lock into place.

Cleaning Instructions:

To preserve the fine finish of this product, clean only with a soft damp cloth. Dry well. Do not use commercial or abrasive cleaners.

Stock Number: _____ **Robe Hook**
By Creative Specialties



25300 AL MOEN DRIVE • NORTH OLMSTED, OH 44070
CORPORATE HEADQUARTERS: (800) 321-8809 • FAX: (800) 848-6636
INTERNATIONAL: (440) 962-2000 • FAX: (440) 962-2726
CUSTOMER SERVICE (USA): 800-882-0116 • FAX: (888) 379-2720
WWW.CSI.MOEN.COM

©Copyright Creative Specialties International

Literature #BA1429