

# Addington Technical Specification

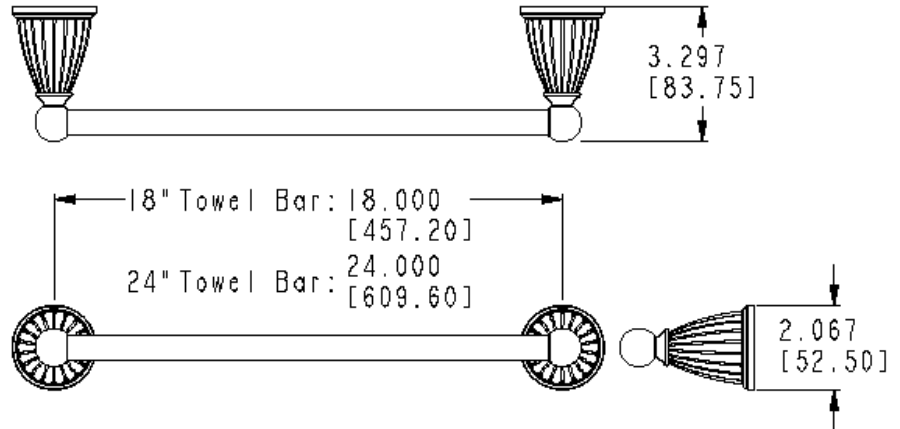
## 18" & 24" Towel Bar

## DN8118 & DN8124

### Stock Numbers:

- q **DN8118AZ – 18" Towel Bar**  
Antique Bronze Finish
- q **DN8124BN – 24" Towel Bar**  
Brushed Nickel Finish
- q **DN8118AZ – 18" Towel Bar**  
Antique Bronze Finish
- q **DN8124BN – 24" Towel Bar**  
Brushed Nickel Finish

### Dimensions:



### Materials:

**Towel Bar** posts are constructed of zinc. Bar is aluminum.

### Installation Instructions:

Directions below are for installation into drywall. If installing product into a stud, use the wood screws and washers provided only.

1. Position the mounting template on the wall in the desired location.
2. Using a level, align the template and tape it to the wall.
3. Drill two 5/16" holes at each mounting post location that corresponds to your product.
4. Remove the template from the wall.
5. Fold ends of the plastic toggle together and insert into each hole in the wall.
6. Lightly tap anchors until flush with the wall.
7. One at a time, insert plastic pin into each of the anchors and lightly tap to activate anchor. Remove pin and repeat on all anchors.
8. Secure the EZ 2 Install wall bracket to the wall by inserting 2 screws through the wall bracket holes and into the anchors. Tighten screws.
9. Assemble the towel bar and posts.
10. Place product posts over EZ 2 Install wall brackets and slide down to lock into place.

### Cleaning Instructions:

To preserve the fine finish of this product, clean only with a soft damp cloth. Dry well. Do not use commercial or abrasive cleaners.

**Stock Number:** \_\_\_\_\_ **Towel Bar**  
By Creative Specialties



25300 AL MOEN DRIVE • NORTH OLMSTED, OH 44070  
CORPORATE HEADQUARTERS: (800) 321-8809 • FAX: (800) 848-6636  
INTERNATIONAL: (440) 962-2000 • FAX: (440) 962-2726  
CUSTOMER SERVICE (USA): 800-882-0116 • FAX: (888) 379-2720  
WWW.CSI.MOEN.COM

©Copyright Creative Specialties International

Literature #BA1431