

Decorator Technical Specification

18", 24" & 30" Towel Bar Y4718, Y4724 & Y4730

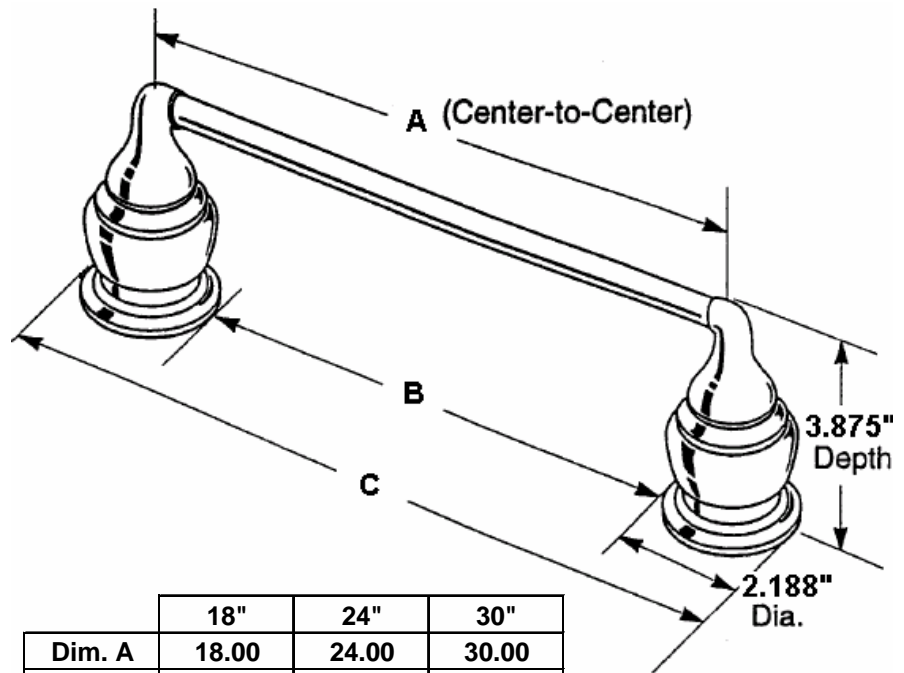
Stock Numbers:

- q **YB4718CH – 18" Towel Bar**
Chrome Finish, Wholesale Packaging
- q **YB4724CH – 24" Towel Bar**
Chrome Finish, Wholesale Packaging
- q **YB4730CH – 30" Towel Bar**
Chrome Finish, Wholesale Packaging
- q **Y4718CH – 18" Towel Bar**
Chrome Finish, Retail Packaging
- q **Y4724CH – 24" Towel Bar**
Chrome Finish, Retail Packaging
- q **YB4718PB – 18" Towel Bar**
Polished Brass Finish, Wholesale Packaging
- q **YB4724PB – 24" Towel Bar**
Polished Brass Finish, Wholesale Packaging
- q **YB4730PB – 30" Towel Bar**
Polished Brass Finish, Wholesale Packaging
- q **Y4718PB – 18" Towel Bar**
Polished Brass Finish, Retail Packaging
- q **Y4724PB – 24" Towel Bar**
Polished Brass Finish, Retail Packaging
- q **YB4718CP – 18" Towel Bar**
Chrome & Polished Brass Finish, Wholesale Packaging
- q **YB4724CP – 24" Towel Bar**
Chrome & Polished Brass Finish, Wholesale Packaging
- q **YB4730CP – 30" Towel Bar**
Chrome & Polished Brass Finish, Wholesale Packaging
- q **Y4718CP – 18" Towel Bar**
Chrome & Polished Brass Finish, Retail Packaging
- q **Y4724CP – 24" Towel Bar**
Chrome & Polished Brass Finish, Retail Packaging
- q **Y4718PMC – 18" Towel Bar**
Platinum & Chrome Finish, Retail Packaging
- q **Y4724PMC – 24" Towel Bar**
Platinum & Chrome Finish, Retail Packaging
- q **Y4718PMP – 18" Towel Bar**
Platinum & Polished Brass Finish, Retail Packaging
- q **Y4724PMP – 24" Towel Bar**
Platinum & Polished Brass Finish, Retail Packaging
- q **YB4718BN – 18" Towel Bar**
Brushed Nickel Finish, Wholesale Packaging
- q **YB4724CH – 24" Towel Bar**
Brushed Nickel Finish, Wholesale Packaging

Materials:

Towel Bars are constructed of zinc except for accent rings that are brass and bar that is aluminum.

Dimensions:



	18"	24"	30"
Dim. A	18.00	24.00	30.00
Dim. B	15.75	21.75	27.75
Dim. C	20.25	26.25	32.25

Installation Instructions:

1. Position the assembled unit on the wall where desired.
2. Lightly mark the outlines of the base.
3. Remove the mounting brackets from back of the fixture by loosening the setscrews with the allen wrench provided.
4. Center the mounting brackets in the outlines. Make sure the arrows are pointing up and the setscrew holes are facing down.
5. Mark the hole locations.
6. Attach the brackets to the wall. Mounting into wood studs is recommended whenever possible.
7. Mount the bases on the brackets, followed by the end caps. Tighten the setscrews to secure the assembly to the brackets.

Cleaning Instructions:

To preserve the fine finish of this product, clean only with a soft damp cloth. Dry well. Do not use commercial or abrasive cleaners.

Stock Number: _____ Towel Bar
By CSI Bath Furnishings

