

Tres Chic™ Technical Specification

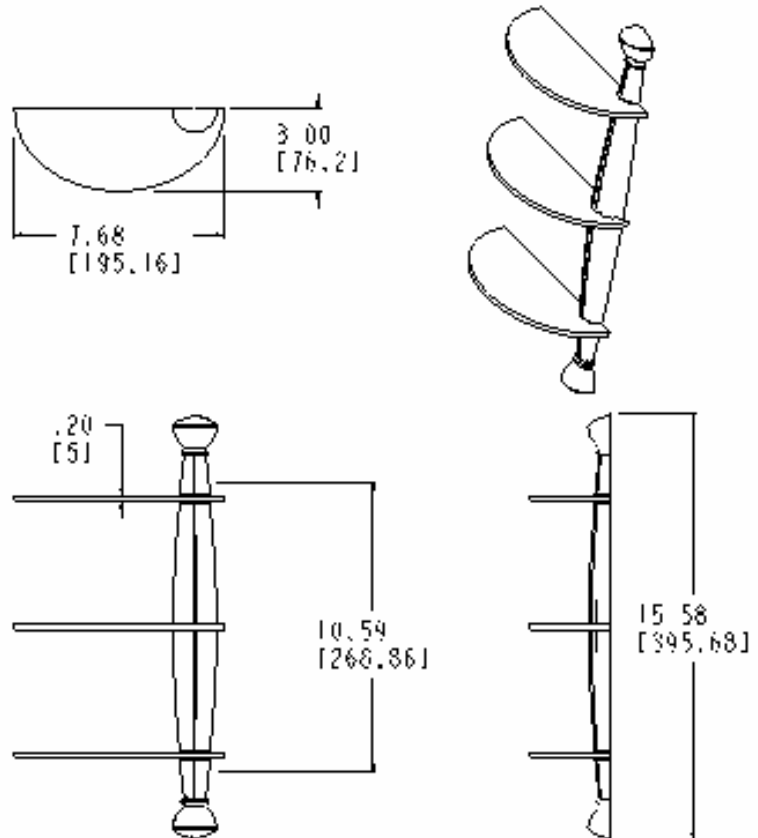
Glass Shelf

YB7795

Stock Numbers:

- q YB7795AN – Three Tiered Glass Shelf
Antique Nickel Finish

Dimensions:



Materials:

Towel Ring cover piece is constructed of zinc. Shelves are tempered glass.

Installation Instructions:

1. Turn the template to a vertical orientation and position on the wall in the desired location. Using a level, align the template and tape it to the wall.
2. Remove the cover piece from the top and bottom of the back of the glass shelf.
3. Drill the 2 hole locations as indicated on the template.
4. Remove template from the wall.
5. Position the product to the wall, using the wall anchors provided.
6. Screw the anchor screws into the wall and tighten.
7. Replace cover piece.

Cleaning Instructions:

To preserve the fine finish of this product, clean only with a soft damp cloth. Dry well. Do not use commercial or abrasive cleaners.

Stock Number: _____ Glass Shelf
By Creative Specialties



25300 AL MOEN DRIVE • NORTH OLMSDED, OH 44070
CORPORATE HEADQUARTERS: (800) 321-8809 • FAX: (800) 848-6636
INTERNATIONAL: (440) 962-2000 • FAX: (440) 962-2726
CUSTOMER SERVICE (USA): 800-882-0116 • FAX: (888) 379-2720

©Copyright Creative Specialties International 2005

Literature #BA1293