



Vista Pivot™ II

Framed pivot shower door
1505D-31

Features

- Framed, 1/8" (3 mm) thick tempered glass.
- Out-of-plumb adjustability.
- Tempered glass ensures maximum safety and durability.
- Anodized aluminum prevents rusting and corrosion.
- 5" (127 mm) inline panel 5/32" (4 mm) thick.

Installation

- Not for use in hospitality.
- For residential use only.

Recommended Products/Accessories

K-23723 Faucet cleaner

Included Components

Additional Components:
Hardware kit



Codes/Standards

ANSI Z97.1
CPSC 16CFR 1201

STERLING® Warranty - Bath and Shower Doors

See website for detailed warranty information.

Available Colors/Finishes

Color tiles intended for reference only.

Color	Code	Description
-------	------	-------------



N	Nickel
S	Silver

Available Glass Options

Code	Description
------	-------------

	Brownstone™
	Frosted
	Pebbled
	Rain
	Tangle™

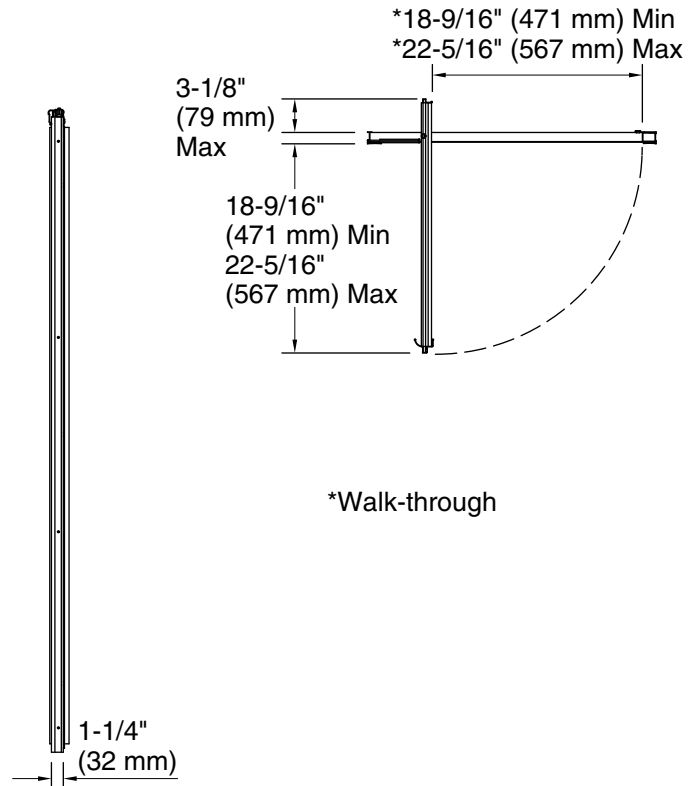
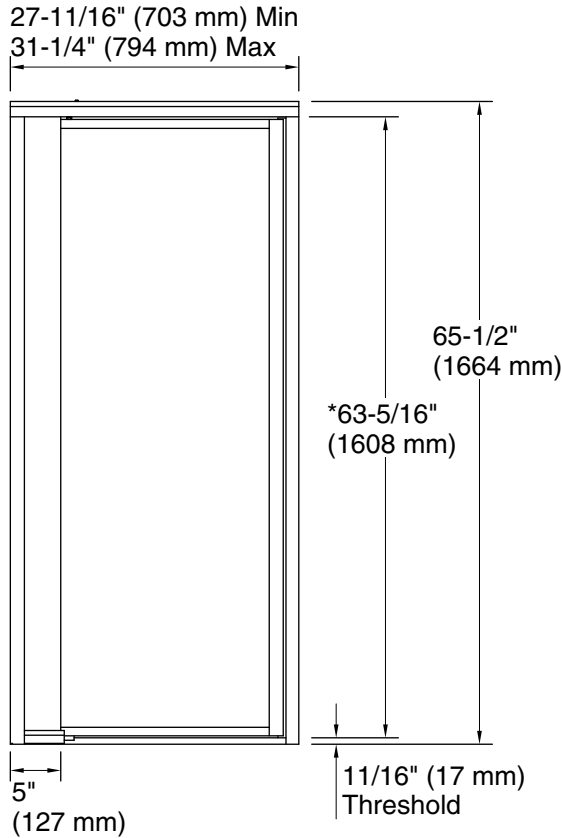
1-800-STERLING (1-800-783-7546)

Kohler Co. reserves the right to make revisions without notice to product specifications.

For the most current Specification Sheet, go to www.sterlingplumbing.com.

10-11-2020 07:36 - US/CA

Vista Pivot™ II
Framed pivot shower door
1505D-31



Technical Information

All product dimensions are nominal.

Installation type: For shower base installation

Opening Width - Min: 27-1/2" (699 mm)

Opening Width - Max: 31-1/4" (794 mm)

Walk-through - Min: 18-9/16" (472 mm)

Walk-through - Max: 22-5/16" (567 mm)

Base-To-Wall Radius 3/8" (10 mm)

– Max:

Glass thickness: 1/8" (3 mm)

Notes

Install this product according to the installation guide.

The vertical opening should be a minimum of 67" (1702 mm) to allow for installation clearance.