



**Features**

- Durable swirl gloss finish.
- Modular design allows it to be moved around corners and through doorways with ease.
- Includes shelves and towel bar on back wall.
- 15" (381 mm) bath depth (floor to top of threshold).
- 60" (1524 mm) x 30" (762 mm) x 72" (1829 mm) complete unit finished dimensions.

**Material**

- Compression molded from our exclusive solid Vikrell® material.

**Installation**

- Tongue-and-groove four-piece modular design allows for easy snap together installation.
- Caulk required in seams for proper installation.

**Components**

Product includes:

- 61031120 60" Bath
- 61034100 60" Bath/Shower Wall Set



**Codes/Standards**



CSA B45.5/IAPMO Z124  
ASTM E162  
ASTM E662  
Greenguard UL 2818 - Gold  
HUD, UM Bulletin 73

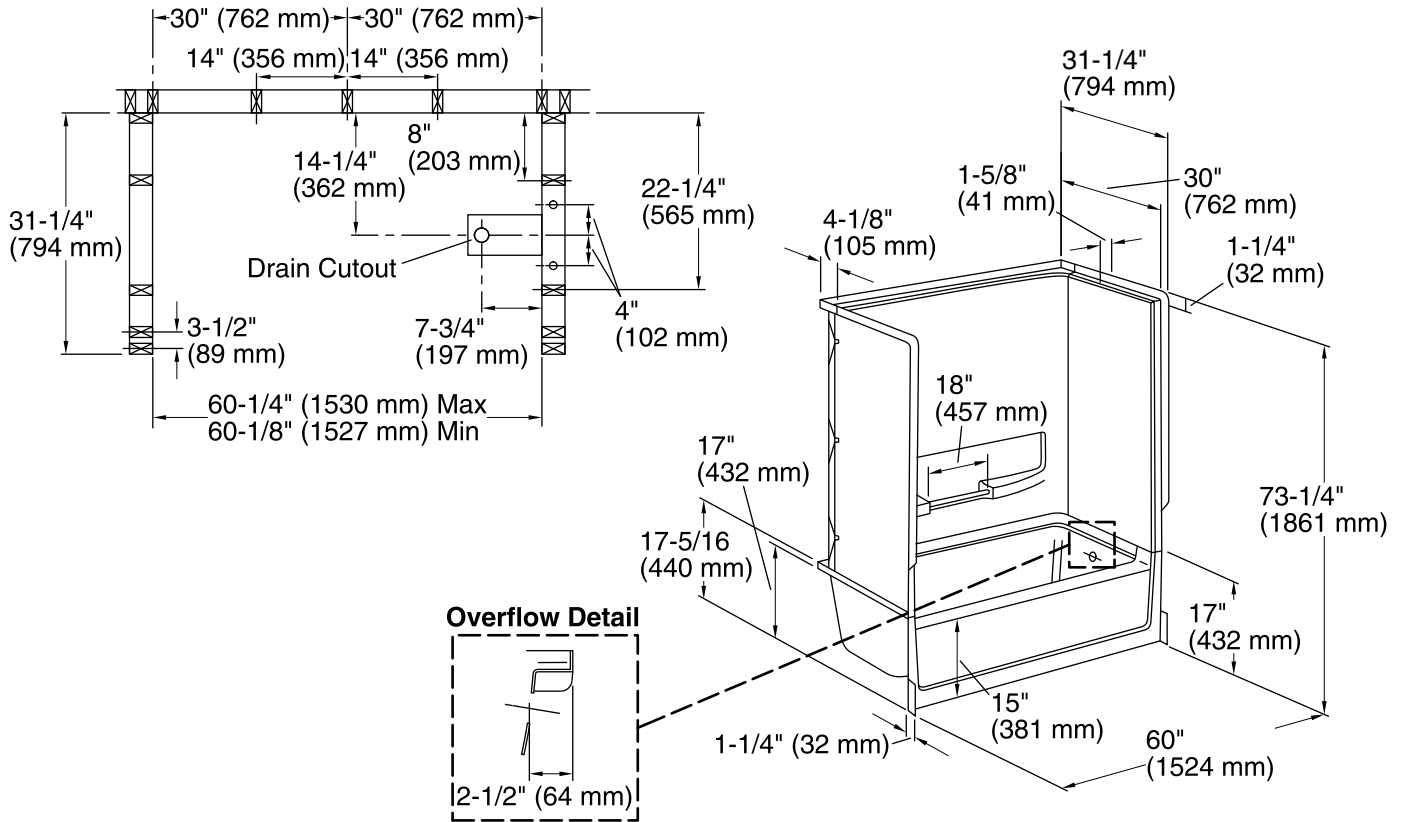
**Warranty – Bathing Fixtures (and) Kitchen and Utility Sinks Made of Solid Vikrell® Material**

See website for detailed warranty information.

**Available Color/Finishes**

*Color tiles intended for reference only.*

Color	Code	Description
	0	White
	96	KOHLER Biscuit



### Technical Information

All product dimensions are nominal.

Installation: 3-Wall Alcove

Drain location: Right

Basin area, bottom: 47" x 19" (1194 mm x 483 mm)

Basin area, top: 55" x 24" (1397 mm x 610 mm)

Water depth: 9-3/8" (238 mm)

Water capacity: 42 gal (159 L)

Minimum flat for door: 2-1/2" (64 mm)

Door height required: 57" (1448 mm)

Door width required: 56-3/4" (1441 mm)

### Notes

Install this product according to the installation instructions.

Studs should be positioned roughly as shown.

Double studding is recommended for pivot shower door installations.