



Features

- Modular design allows it to be moved around corners and through doorways with ease.
- Durable high gloss finish.
- 18" (457mm) bath depth (floor to top of threshold).
- Curve wall with a smooth, contemporary look and ample shelving.
- 2" (51 mm) wainscot/tile ledge.
- 60" (1524 mm) x 32" (813 mm) x 74" (1880 mm) complete unit finished dimensions.
- Wall surround includes backer boards for future grab bar installation.

Material

- Compression molded from our exclusive solid Vikrell® material

Installation

- Tongue-and-groove four piece modular design allows for easy snap together installation.
- Some caulk required for proper installation.



Codes/Standards



CSA B45.5/IAPMO Z124
ASTM E162
ASTM E662
Greenguard UL 2818 - Gold
HUD, UM Bulletin 73

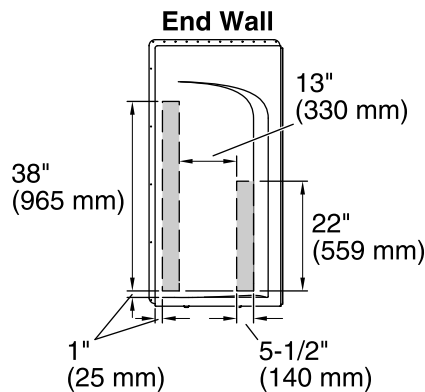
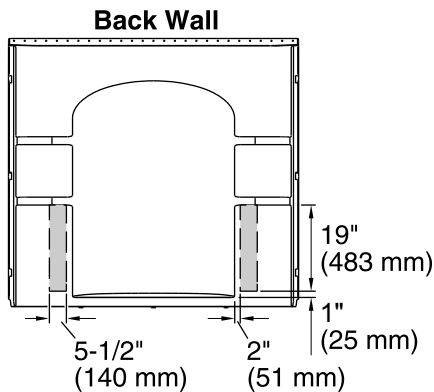
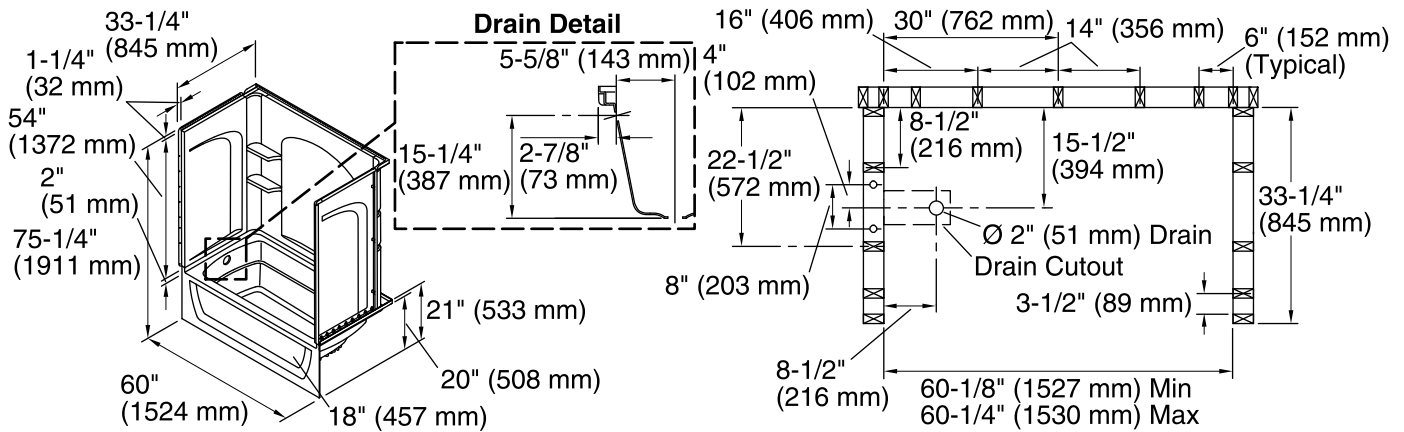
Warranty – Bathing Fixtures (and) Kitchen and Utility Sinks Made of Solid Vikrell® Material

See website for detailed warranty information.

Available Color/Finishes

Color tiles intended for reference only.

Color	Code	Description
	0	White
	96	KOHLER Biscuit



Note: Right and left end walls are the same, only mirrored.

■ Backer board locations

Technical Information

All product dimensions are nominal.

Installation: 3-Wall Alcove

Drain location: Left

Basin area, bottom: 42" x 20" (1067 mm x 508 mm)

Basin area, top: 54" x 26" (1372 mm x 660 mm)

Water depth: 13-3/4" (349 mm)

Water capacity: 55 gal (208.2 L)

Minimum flat for door: 3" (76 mm)

Door height required: 55-1/2" (1410 mm)

Door width required: 57-11/16" (1465 mm)

Notes

Install this product according to the installation instructions.

Studs should be positioned as shown.

Double studding is recommended for pivot shower door installations.

Attach grab bars at the specified backer board locations only.