



A KOHLER COMPANY

Ensemble™

60" x 32" Curve Bath/Shower 71220120



Features

- Modular design allows it to be moved around corners and through doorways with ease.
- Durable high gloss finish.
- Curve wall with a smooth, contemporary look and ample shelving.
- 18" (457mm) bath depth (floor to top of threshold).
- 2" (51 mm) wainscot/tile ledge.
- 60" (1524 mm) x 32" (813 mm) x 74" (1880 mm) complete unit finished dimensions.

Material

- Compression molded from our exclusive solid Vikrell® material.

Installation

- Tongue-and-groove four piece modular design allows for easy snap together installation.
- Some caulk required for proper installation.

Components

Product includes:

71224100 60" x 32" Curve Bath/Shower Wall Set

71121120 32" (813 mm) Bath



Codes/Standards

CSA B45.5/IAPMO Z124

ASTM E162

ASTM E662

Greenguard UL 2818 - Gold



HUD, UM Bulletin 73

Warranty – Bathing Fixtures (and) Kitchen and Utility Sinks Made of Solid Vikrell® Material

See website for detailed warranty information.

Available Color/Finishes

Color tiles intended for reference only.

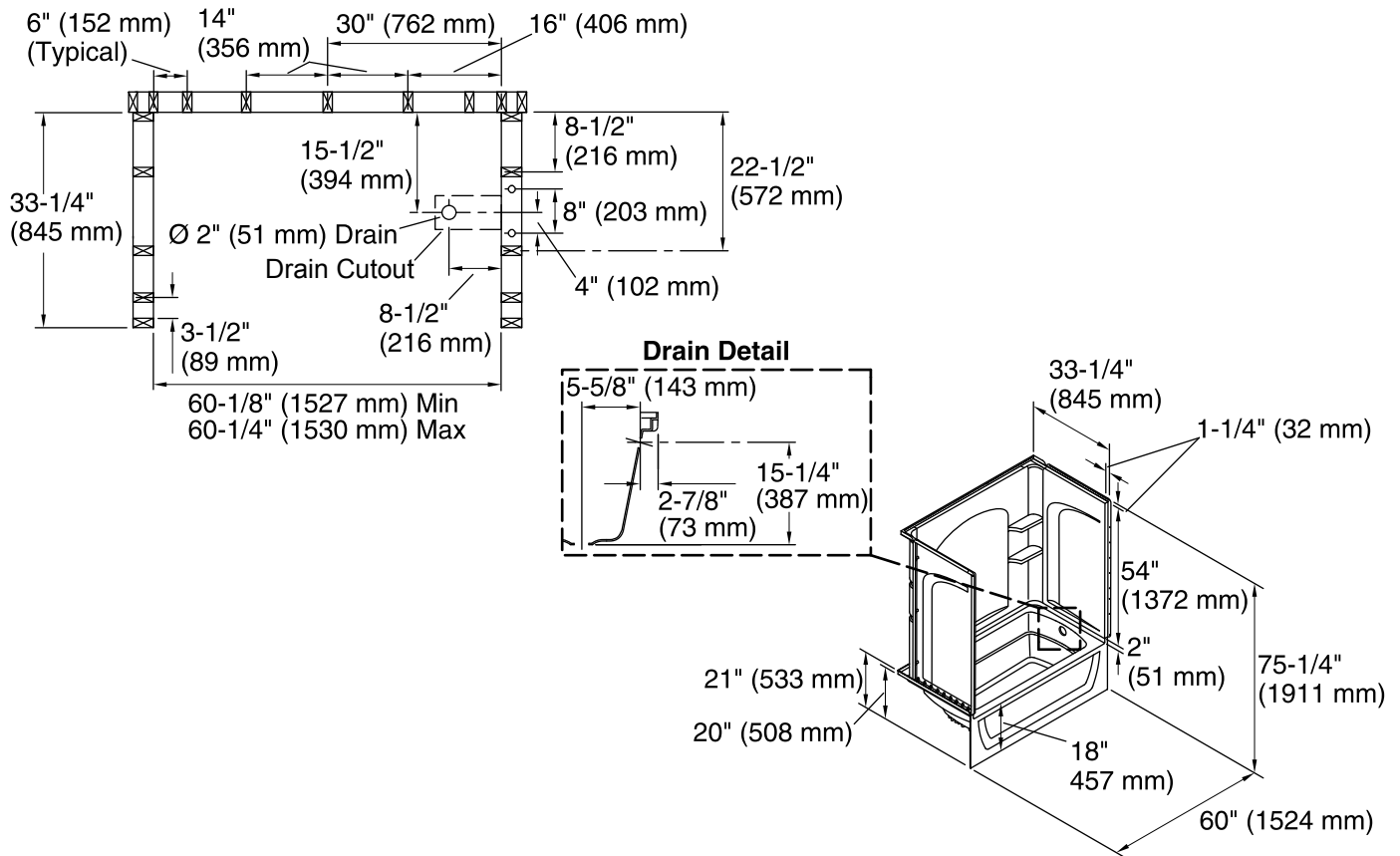
Color	Code	Description
	0	White
	96	KOHLER Biscuit

USA/Canada: 1-800-STERLING (1-800-783-7546)

Kohler Co. reserves the right to make revisions without notice to product specifications.

For the most current Specification Sheet, go to www.sterlingplumbing.com.

12-3-2017 03:57



Technical Information

All product dimensions are nominal.

Installation:	3-Wall Alcove
Drain location:	Right
Basin area, bottom:	42" x 20" (1067 mm x 508 mm)
Basin area, top:	54" x 26" (1372 mm x 660 mm)
Water depth:	13-3/4" (349 mm)
Water capacity:	55 gal (208.2 L)
Minimum flat for door:	3" (76 mm)
Door height required:	55-1/2" (1410 mm)
Door width required:	57-11/16" (1465 mm)

Notes

Install this product according to the installation instructions.

Studs should be positioned roughly as shown.

Double studding is recommended for pivot shower door installations.