



**Features**

- Modular design allows it to be moved around corners and through doorways with ease.
- Durable high gloss finish.
- Above-floor-drain (AFD) rough-in.
- Wall surround includes backer boards for future grab bar installation.
- Curve wall with smooth, contemporary look and ample shelving.
- 20" (598 mm) bath depth (floor to top of threshold).
- 2" (51 mm) wainscot/tile ledge.
- 60" (1524 mm) x 32" (813 mm) x 76" (1930mm) complete unit finished dimensions.

**Material**

- Compression molded from our exclusive solid Vikrell® material.

**Installation**

- Tongue-and-groove four piece modular design allows for easy snap together installation.
- Some caulk required for proper installation.

**Components**

Product includes:

- 71224106 60" x 32" Curve Wall Set w/Backer Boards
- 71121122 32" (813 mm) AFD Bath



**Codes/Standards**



- CSA B45.5/IAPMO Z124
- ASTM E162
- ASTM E662
- Greenguard UL 2818 - Gold
- HUD, UM Bulletin 73

**Warranty – Bathing Fixtures (and) Kitchen and Utility Sinks Made of Solid Vikrell® Material**

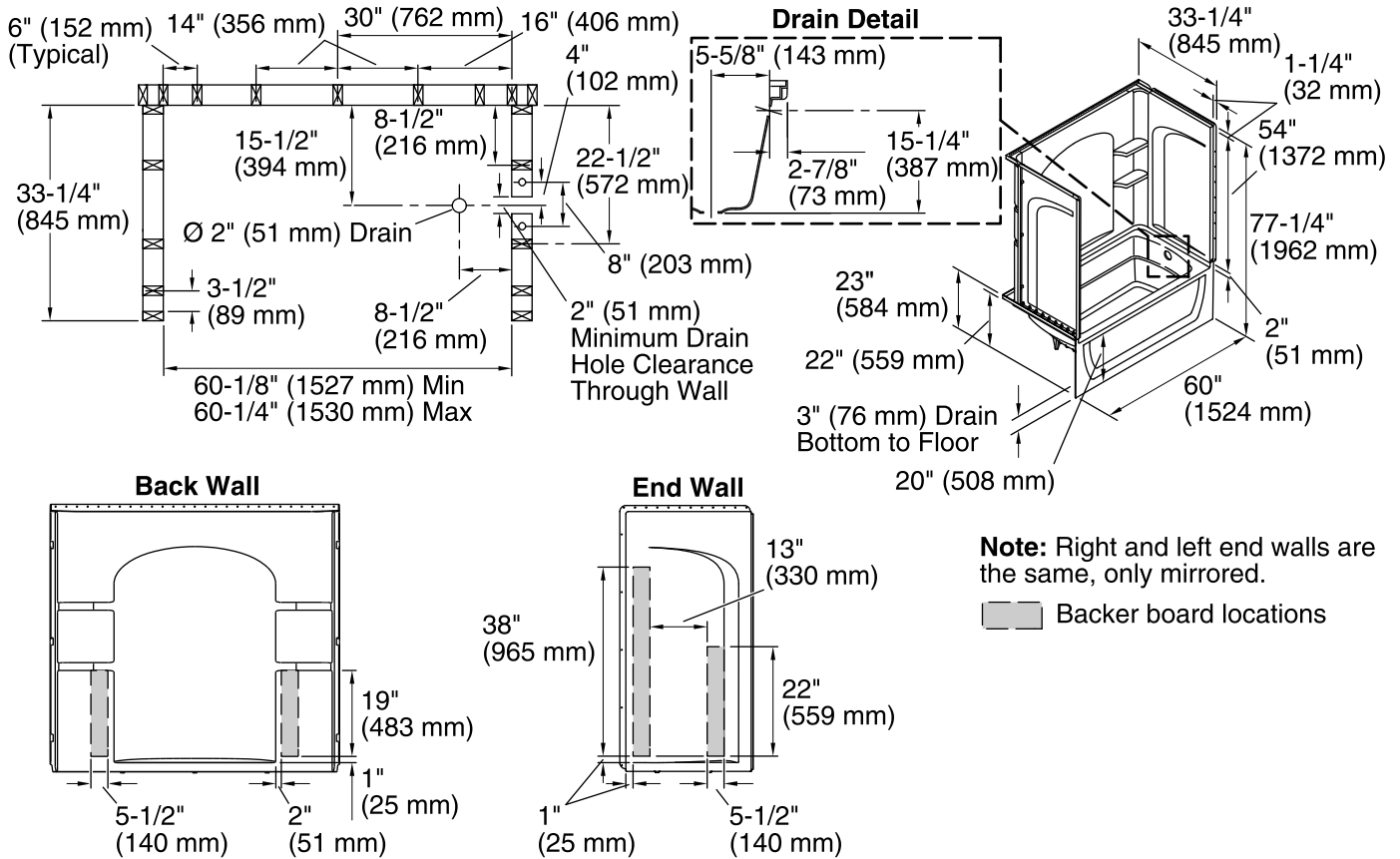
See website for detailed warranty information.

**Available Color/Finishes**

*Color tiles intended for reference only.*

Color	Code	Description
	0	White
	96	KOHLER Biscuit

## 60" x 32" Curve AFD Bath/Shower w/Backer Boards 71220128



### Technical Information

All product dimensions are nominal.

Installation: 3-Wall Alcove

Drain location: Right

Basin area, bottom: 42" x 20" (1067 mm x 508 mm)

Basin area, top: 54" x 26" (1372 mm x 660 mm)

Water depth: 13" (330 mm)

Water capacity: 51 gal (193.1 L)

Minimum flat for door: 3" (76 mm)

Door height required: 55-1/2" (1410 mm)

Door width required: 57-11/16" (1465 mm)

### Notes

Install this product according to the installation instructions.

Studs should be positioned roughly as shown.

Double studding is recommended for pivot shower door installations.

Attach grab bars at the specified backer board locations only.