



# Lawson®

## 32" (813 mm) Drop-In Bath

### 71261100



#### Features

- Durable high-gloss finish.
- 60" (1524 mm) x 32" (813 mm) x 20-5/16" (516 mm) finished dimensions

#### Material

- Compression molded from our exclusive solid Vikrell® material.

#### Recommended Accessories

- 71268100 Standard Bath Apron
- 76268100 Apron with Access Panel
- 71287100 Tile-in Flange Kit for 60" Models



#### Codes/Standards



- CSA B45.5/IAPMO Z124
- ASTM E162
- ASTM E662
- Greenguard UL 2818 - Gold
- HUD, UM Bulletin 73

#### Warranty – Bathing Fixtures (and) Kitchen and Utility Sinks Made of Solid Vikrell® Material

See website for detailed warranty information.

#### Available Color/Finishes

*Color tiles intended for reference only.*

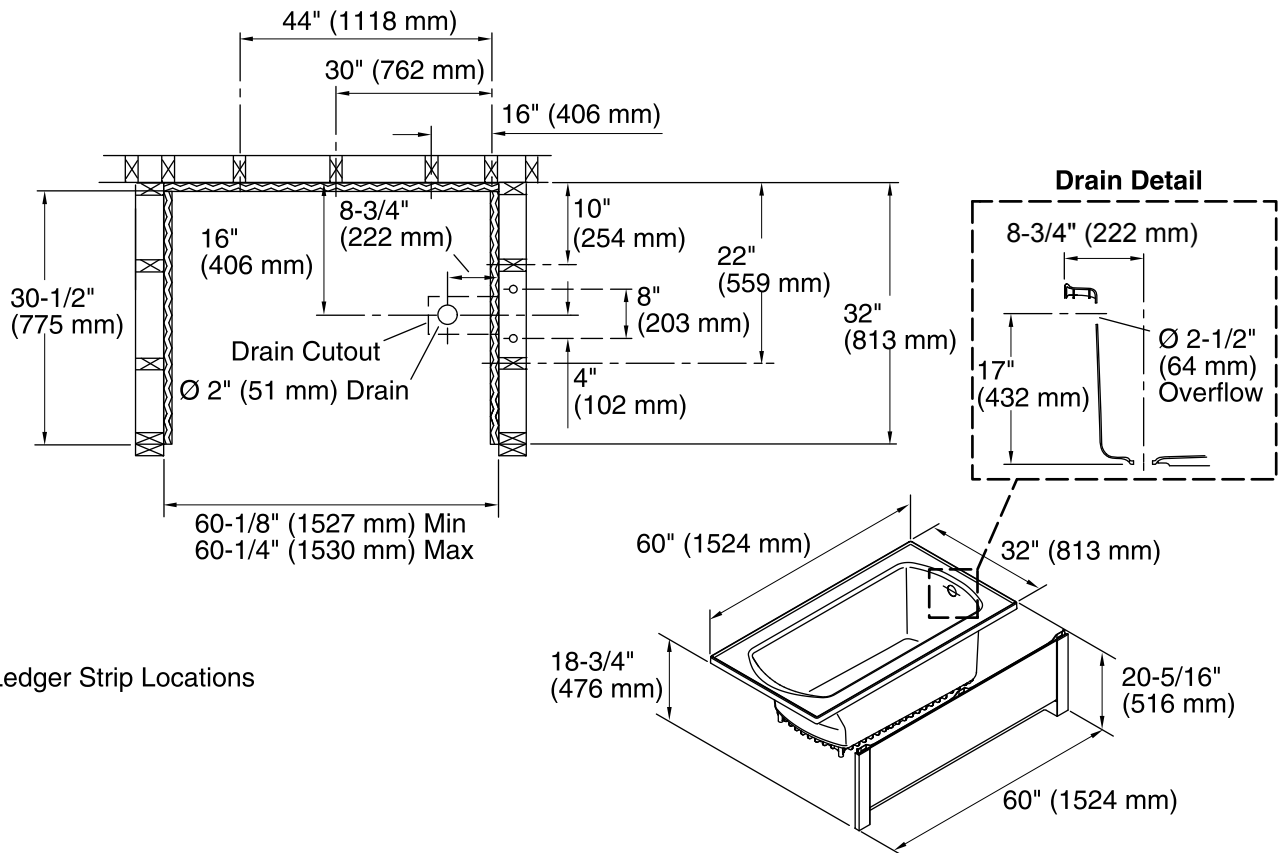
Color	Code	Description
	0	White
	96	KOHLER Biscuit

USA/Canada: 1-800-STERLING (1-800-783-7546)

Kohler Co. reserves the right to make revisions without notice to product specifications.

For the most current Specification Sheet, go to [www.sterlingplumbing.com](http://www.sterlingplumbing.com).

11-13-2017 04:20



### Technical Information

All product dimensions are nominal.

Installation:	Drop-in
Drain location:	End
Basin area, bottom:	44" x 21-1/2" (1118 mm x 546 mm)
Basin area, top:	51" x 22-3/4" (1295 mm x 578 mm)
Water depth:	15-1/4" (387 mm)
Water capacity:	51 gal (193.1 L)
Minimum flat for door:	3" (76 mm)
Door width required:	60" (1524 mm)

### Notes

Install this product according to the installation instructions.

Studs should be positioned roughly as shown.