



**Features**

- 20 bath depth.
- End drain can be installed as left- or right-hand drain.

**Material**

- Compression molded from our exclusive solid Vikrell® material.
- Durable high-gloss finish.

**Installation**

- Drop-in.

**Recommended Products/Accessories**

- 1500D-36 Framed pivot shower door
- 1505D-36 Framed pivot shower door
- 1507D-36 Framed pivot shower door
- 1530D-36 Framed pivot shower door
- 1535D-36 Framed pivot shower door
- 6506-33 Framed pivot shower door
- 80001012 12" straight grab bar
- 80001018 18" straight grab bar
- 80001024 24" straight grab bar
- K-23726 Drain treatment
- K-23733 Vikrell® cleaner



**Codes/Standards**



- CSA B45.5/IAPMO Z124
- ASTM E162
- ASTM E662
- HUD, UM Bulletin 73

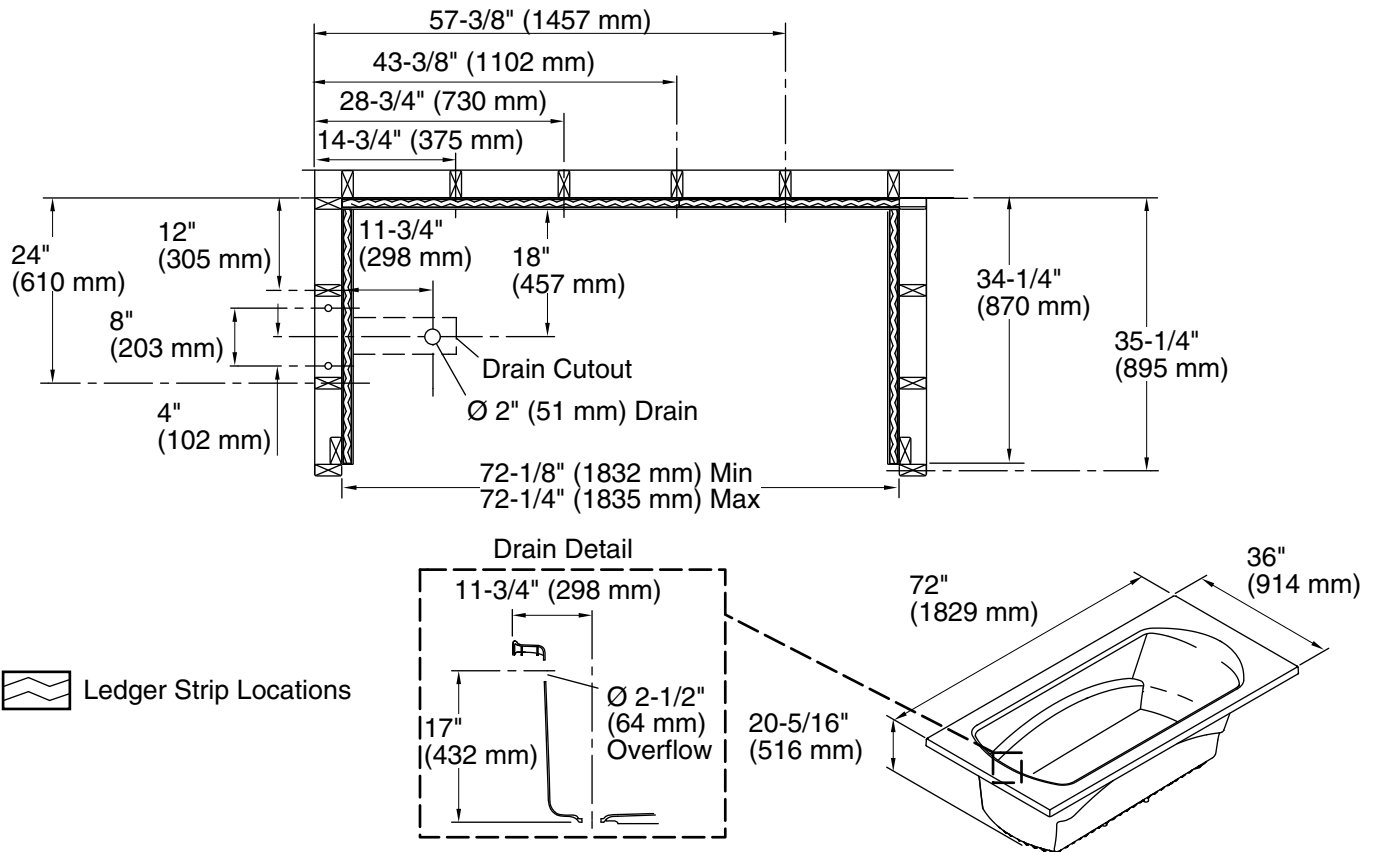
**Warranty – Bathing Fixtures (and) Kitchen and Utility Sinks Made of Solid Vikrell® Material**

See website for detailed warranty information.

**Available Colors/Finishes**

*Color tiles intended for reference only.*

Color	Code	Description
	0	White
	96	KOHLER Biscuit



**Technical Information**

All product dimensions are nominal.

- Installation: Drop-in
- Drain location: End
- Basin area, bottom: 50-3/8" x 21-3/4" (1280 mm x 552 mm)
- Basin area, top: 58-1/4" x 27" (1480 mm x 686 mm)
- Weight: 23 lbs (10.4 kg)
- Water depth: 15-1/4" (387 mm)
- Water capacity: 68 gal (257.4 L)
- Minimum flat for door: 3" (76 mm)

**Notes**

Install this product according to the installation instructions.