



**Features**

- Modular design allows it to be moved around corners and through doorways with ease.
- Durable high gloss finish.
- Innovative Dry-Block™ seal and channeled water containment system form watertight seams.
- Clean, contemporary design with ample shelving.
- 2" (51 mm) wainscot/tile ledge.
- 18" (457mm) bath depth (floor to top of threshold).
- 60" (1524 mm) x 32" (813 mm) x 75" (1905 mm) complete unit finished dimensions.

**Material**

- Compression molded from our exclusive solid Vikrell® material.

**Installation**

- Tongue-and-groove four piece modular design allows for easy snap together installation.
- Caulk-free installation.
- Wall surround includes backer boards for future grab bar installation.

**Components**

Product includes:

- 71324106 60"x32" Medley™ Wall Set w/ Backer Boards
- 71121120 32" (813 mm) Bath



**Codes/Standards**



- CSA B45.5/IAPMO Z124
- ASTM E162
- ASTM E662
- Greenguard UL 2818 - Gold
- HUD, UM Bulletin 73

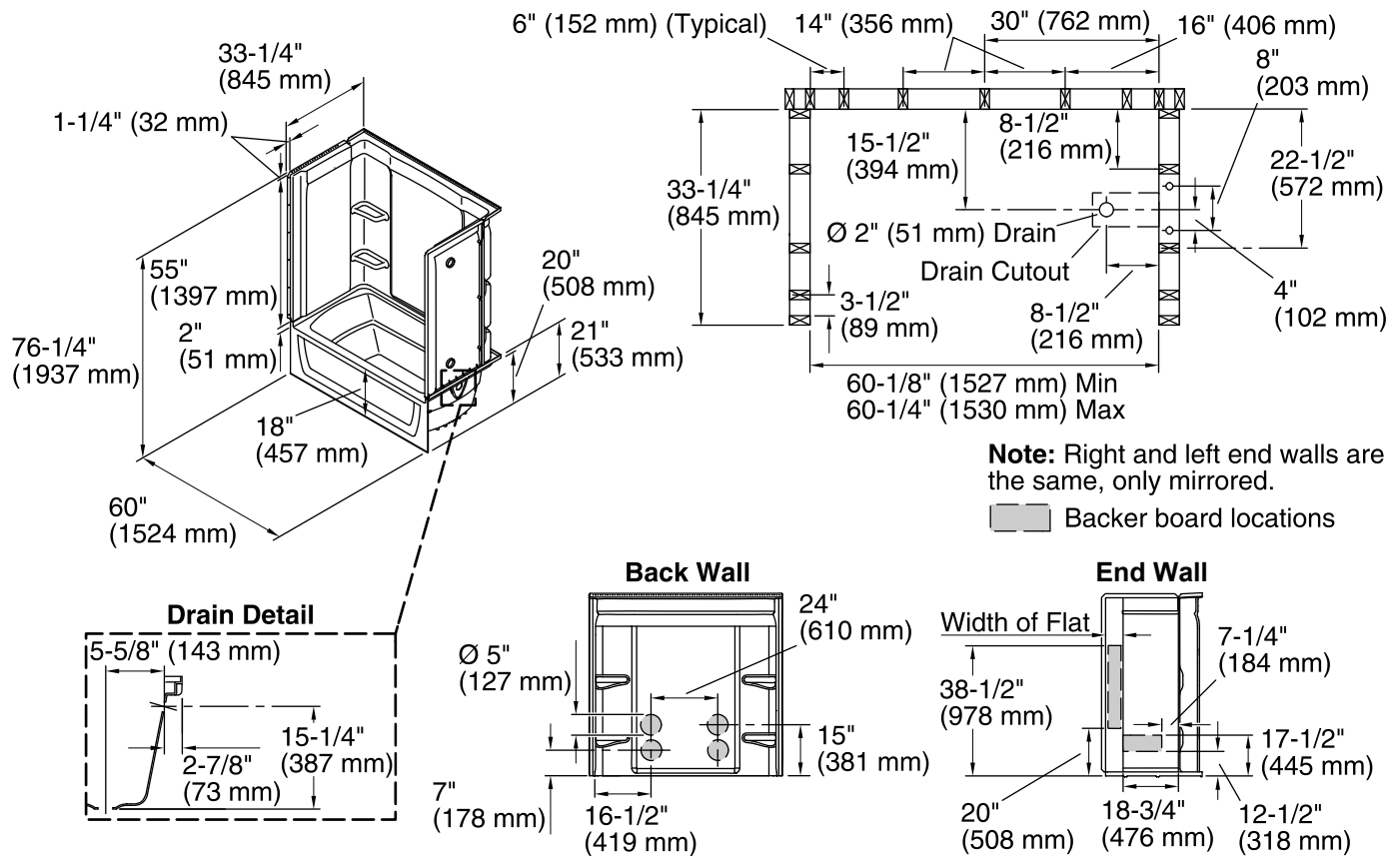
**Warranty – Bathing Fixtures (and) Kitchen and Utility Sinks Made of Solid Vikrell® Material**

See website for detailed warranty information.

**Available Color/Finishes**

*Color tiles intended for reference only.*

Color	Code	Description
	0	White
	96	KOHLER Biscuit



### Technical Information

All product dimensions are nominal.

- Installation: 3-Wall Alcove  
 Drain location: Right  
 Basin area, bottom: 42" x 20" (1067 mm x 508 mm)  
 Basin area, top: 54" x 26" (1372 mm x 660 mm)  
 Water depth: 13-3/4" (349 mm)  
 Water capacity: 55 gal (208.2 L)  
 Minimum flat for door: 3" (76 mm)  
 Door height required: 56-3/4" (1441 mm)  
 Door width required: 57-11/16" (1465 mm)

### Notes

- Install this product according to the installation instructions.
- Studs should be positioned as shown.
- Double studding is recommended for pivot shower door installations.
- Attach grab bars at the specified backer board locations only.