



# Ensemble™

## 60" x 30" Medley™ Bath/Shower with Backer Boards 71370116



### Features

- Modular design allows it to be moved around corners and through doorways with ease.
- Durable high gloss finish.
- Innovative Dry-Block™ seal and channeled water containment system form watertight seams.
- Clean, contemporary design with ample shelving.
- 2" (51 mm) wainscot/tile ledge.
- 16" (406 mm) bath depth (floor to top of threshold).
- 60" (1524 mm) x 30-1/8" (765 mm) x 73" (1854 mm) complete unit finished dimensions.

### Material

- Compression molded from our exclusive solid Vikrell® material.

### Installation

- Tongue-and-groove four piece modular design allows for easy snap together installation.
- Caulk-free installation.
- Wall surround includes backer boards for future grab bar installation.

### Components

Product includes:

- 71374106 60"x 30" Medley™ Bath/Shower Wall Set w/Backer Boards
- 71171110 30" Bath



### Codes/Standards



- CSA B45.5/IAPMO Z124
- ASTM E162
- ASTM E662
- Greenguard UL 2818 - Gold
- HUD, UM Bulletin 73

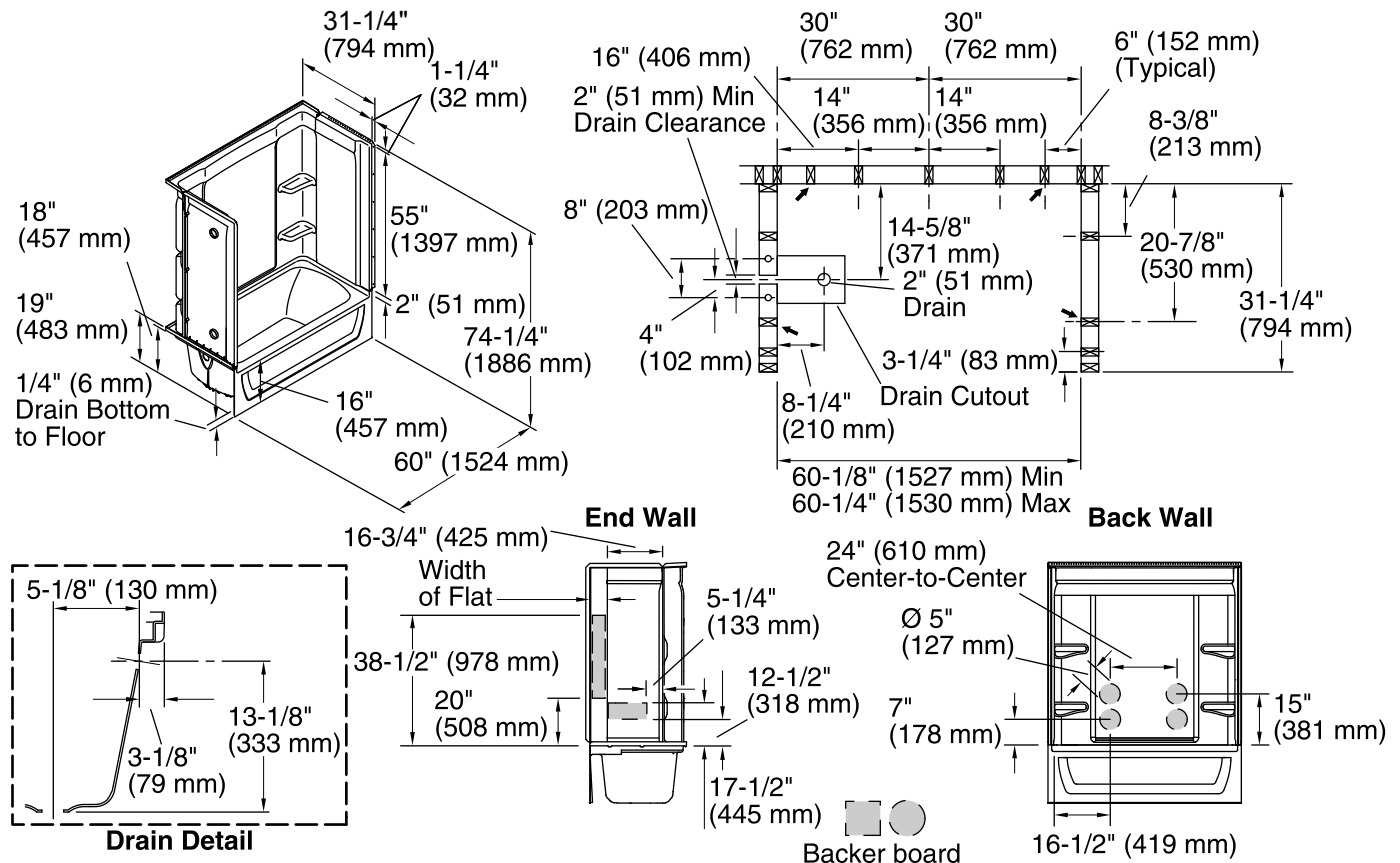
### Warranty – Bathing Fixtures (and) Kitchen and Utility Sinks Made of Solid Vikrell® Material

See website for detailed warranty information.

### Available Color/Finishes

*Color tiles intended for reference only.*

Color	Code	Description
	0	White
	96	KOHLER Biscuit



#### Technical Information

All product dimensions are nominal.

Installation: 3-Wall Alcove

Drain location: Left

Basin area, bottom: 45" x 20" (1143 mm x 508 mm)

Basin area, top: 53" x 23" (1346 mm x 584 mm)

Water depth: 11-1/4" (286 mm)

Water capacity: 44 gal (166.6 L)

Minimum flat for door: 2-3/4" (70 mm)

Door height required: 56-3/4" (1441 mm)

Door width required: 57-11/16" (1465 mm)

#### Notes

Install this product according to the installation instructions.

Double studing is recommended for pivot shower door installations.

Attach grab bars at the specified backer board locations only.

Studs should be positioned roughly as shown.