



# Ensemble™ Medley®

## 60" x 30" Bath/Shower w/Backer Boards

### 71370126



#### Features

- Modular design allows it to be moved around corners and through doorways with ease.
- Durable high gloss finish.
- Innovative Dry-Block™ seal and channeled water containment system form watertight seams.
- Clean, contemporary design with ample shelving.
- 2" (51 mm) wainscot/tile ledge.
- 16" (406 mm) bath depth (floor to top of threshold).
- 60" (1524 mm) x 30-1/8" (765 mm) x 73" (1854 mm) complete unit finished dimensions.

#### Material

- Compression molded from our exclusive solid Vikrell® material.

#### Installation

- Tongue-and-groove four piece modular design allows for easy snap together installation.
- Caulk-free installation.
- Wall surround includes backer boards for future grab bar installation.

#### Components

Product includes:

- 71374106 60"x 30" Medley™ Bath/Shower Wall Set w/Backer Boards
- 71171120 30" Bath



#### Codes/Standards



CSA B45.5/IAPMO Z124  
ASTM E162  
ASTM E662  
Greenguard UL 2818 - Gold  
HUD, UM Bulletin 73

#### Warranty – Bathing Fixtures (and) Kitchen and Utility Sinks Made of Solid Vikrell® Material

See website for detailed warranty information.

#### Available Color/Finishes

*Color tiles intended for reference only.*

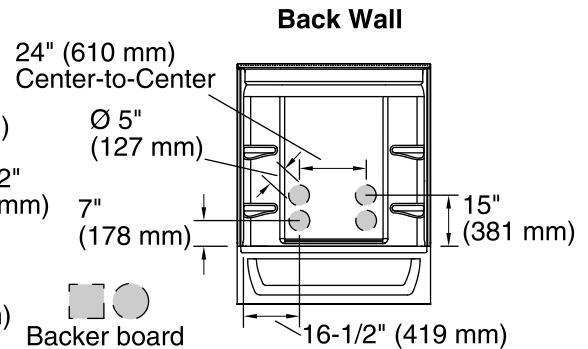
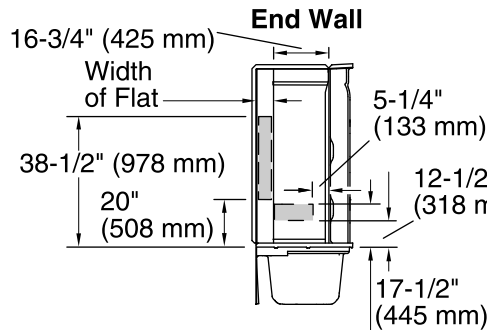
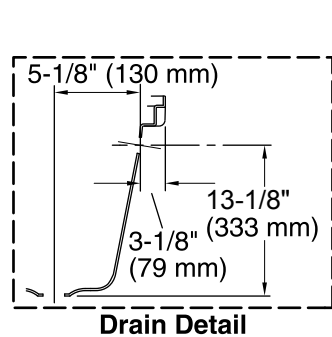
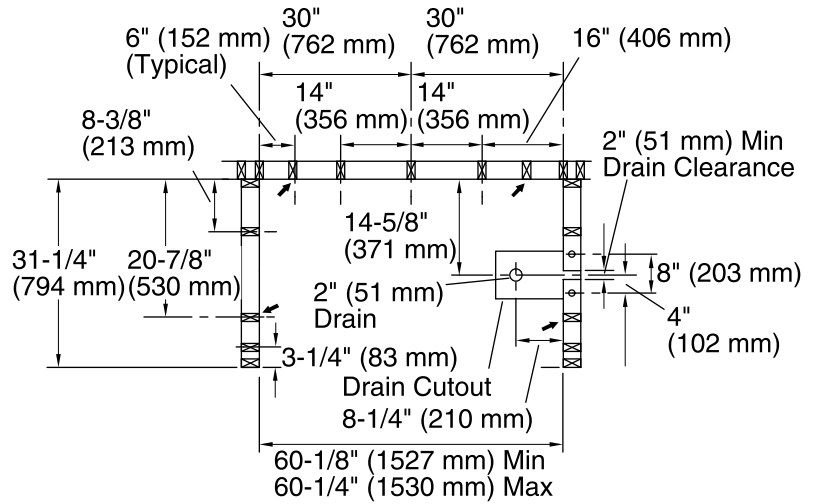
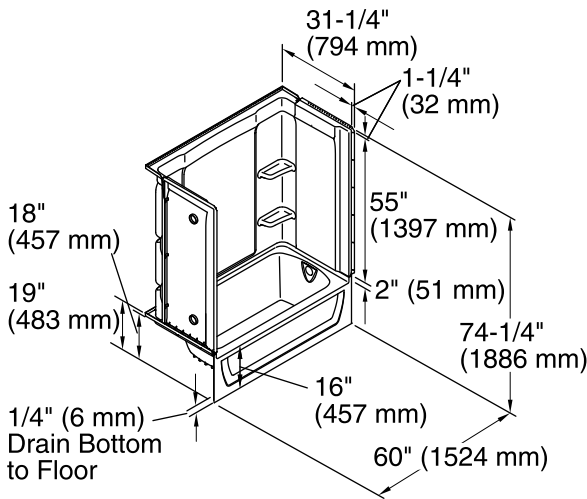
Color	Code	Description
	0	White
	96	KOHLER Biscuit

USA/Canada: 1-800-STERLING (1-800-783-7546)

Kohler Co. reserves the right to make revisions without notice to product specifications.

For the most current Specification Sheet, go to [www.sterlingplumbing.com](http://www.sterlingplumbing.com).

11-13-2017 04:22



### Technical Information

All product dimensions are nominal.

- Installation: 3-Wall Alcove
- Drain location: Right
- Basin area, bottom: 45" x 20" (1143 mm x 508 mm)
- Basin area, top: 53" x 23" (1346 mm x 584 mm)
- Water depth: 11-1/4" (286 mm)
- Water capacity: 44 gal (166.6 L)
- Minimum flat for door: 2-3/4" (70 mm)
- Door height required: 56-3/4" (1441 mm)
- Door width required: 57-11/16" (1465 mm)

### Notes

- Install this product according to the installation instructions.
- Studs should be positioned as shown.
- Double studding is recommended for pivot shower door installations.
- Attach grab bars at the specified backer board locations only.