



Traverse®

32" bath/shower
71520120



Features

- Tongue-and-groove modular design allows for easy installation during any phase of construction.
- Modern subway tile design.
- Full-length shelf provides generous storage.
- Easy to clean, durable high-gloss finish.

Material

- Compression molded from our exclusive solid Vikrell® material.

Installation

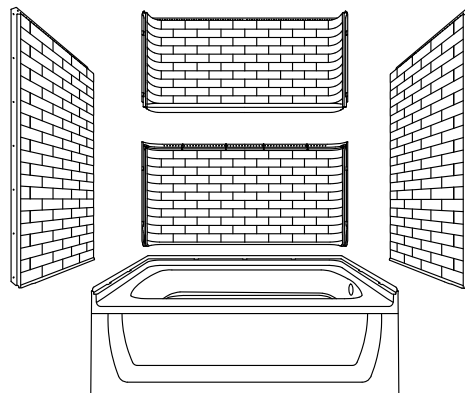
- Pro4™ installation system features a two-piece backwall design, enabling one-person handling and installation.
- Alcove.
- Caulk-free installation.
- Right drain.

Recommended Products/Accessories

- K-23726 Drain treatment
- K-23733 Vikrell® cleaner

Included Components

- Product consists of:
- 71121120 60" bath
 - 71524100 32" shower wall set



Codes/Standards



- CSA B45.5/IAPMO Z124
- ASTM E162
- ASTM E662
- HUD, UM Bulletin 73

Warranty – Bathing Fixtures (and) Kitchen and Utility Sinks Made of Solid Vikrell® Material

See website for detailed warranty information.

Available Colors/Finishes

Color tiles intended for reference only.

Color	Code	Description
	0	White
	96	KOHLER Biscuit

1-800-STERLING (1-800-783-7546)

Kohler Co. reserves the right to make revisions without notice to product specifications.

For the most current Specification Sheet, go to www.sterlingplumbing.com.

3-12-2020 11:57 - US/CA

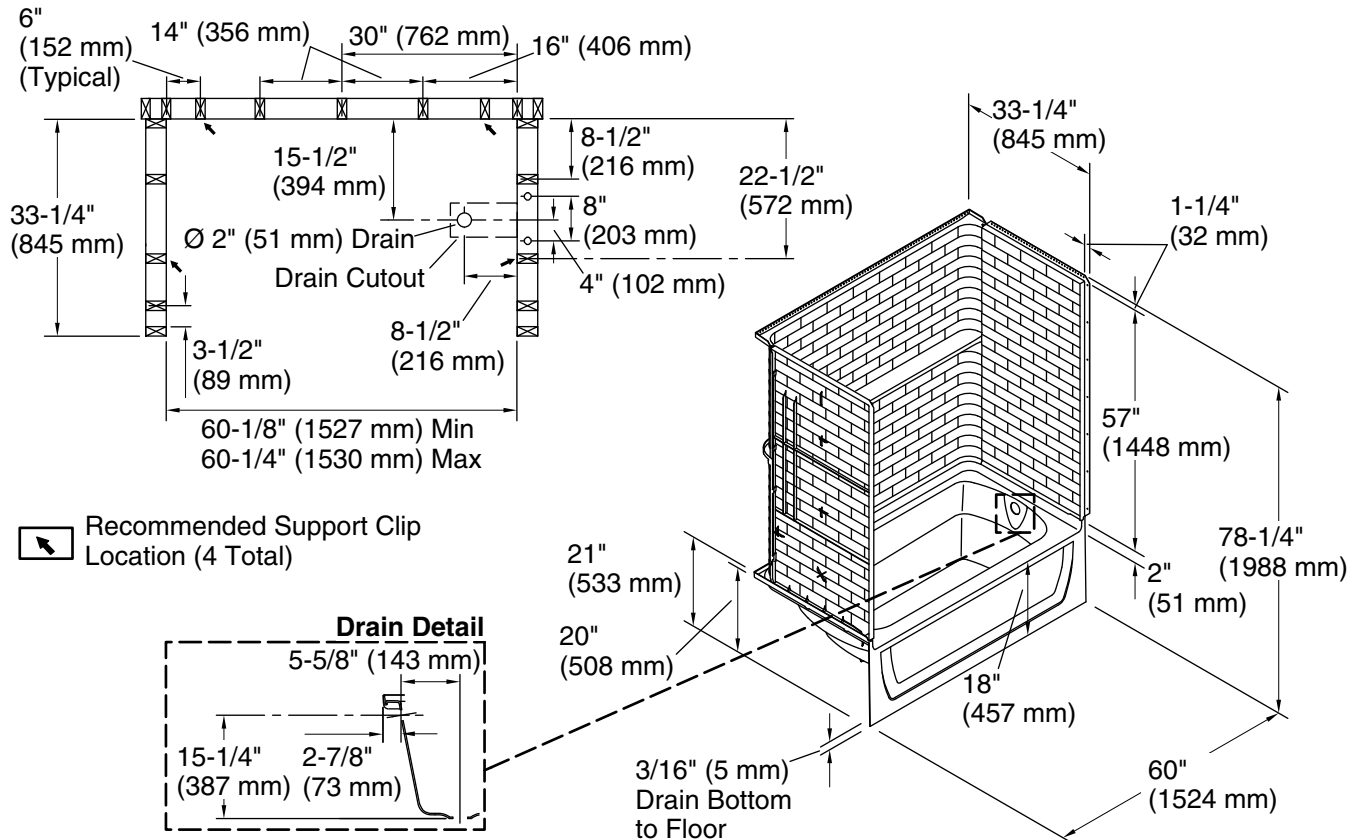
STERLING®

A KOHLER COMPANY

Traverse®

32" bath/shower

71520120



Technical Information

All product dimensions are nominal.

Installation: Three-wall alcove

Minimum flat for door: 3" (76 mm)

Threshold height: 18" (457 mm)

Notes

Install this product according to the installation instructions.

Studs should be positioned roughly as shown.

Double studding is recommended for pivot shower door installations.

Attach grab bars at the specified backer board locations only.

1-800-STERLING (1-800-783-7546)

Kohler Co. reserves the right to make revisions without notice to product specifications.

For the most current Specification Sheet, go to www.sterlingplumbing.com.

3-12-2020 11:57 - US/CA