

Eco Clayton® Close Coupled Toilet, 1.28GPF

FEATURES

- E-Max® flushing system, low consumption (1.28GPF/4.8LPF)
- Universal Height
- Traditional close coupled toilet
- Elongated front bowl and tank set, less seat
- Color matched and chrome trip lever
- 12" Rough-in, less supply
- ADA compliant

MODELS

- CST784EF

COMPONENTS

- C784EF - Elongated Front Bowl
- ST784E - Tank and Cover only
- SS154 SoftClose® seat (sold separately)
- SS114 SoftClose® seat (sold separately)
- SS304 SoftClose® maple seat (sold separately)

COLORS/FINISHES

- Standard
 - #01 Cotton
 - #03 Bone
 - #11 Colonial White
 - #12 Sedona Beige
 - #51 Ebony

PRODUCT SPECIFICATION

The two-piece low consumption E-Max flushing system toilet shall be 1.28GPF/4.8LPF. Toilet shall have high-profile tank, elongated front bowl and chrome trip lever. Toilet shall be TOTO Model CST784EF ____.



E+ E-Max

CODES/STANDARDS

- Meets and exceeds ASME A112.19.2/CSA B45.1
- Certifications: IAPMO(cUPC), EPA Watersense, State of Massachusetts, City of Los Angeles, and others
- Code compliance: UPC, IPC, NSPC, NPC Canada, and others
- Legislative Compliance: California AB715, California Green Building Code, City of Los Angeles Water Efficiency Ordinance
- ADA compliant (when installed with trip lever located on the approach side)
- Complies with CA Prop 65 warning requirements



CST784EF

Eco Clayton® Close Coupled Toilet, 1.28GPF

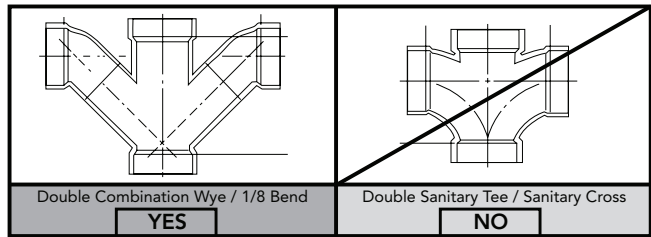
SPECIFICATIONS

- Water Use 1.28 GPF/4.8LPF
 - Flush System E-Max
 - Min. Water Pressure 8 psi (static)
 - Water Surface 10-5/8" x 8-1/4"
 - Trap Diameter 2-1/8"
 - Rough-in 12"
 - Trap Seal 2-3/8"
 - Warranty One Year Limited Warranty
 - Material Vitreous china
 - Shipping Weight C784EF - 62lbs
ST784E - 36.5lbs
 - Shipping Dimensions C784EF
30"L x 12-1/4"W1 14-5/8"
W2 x 18-1/8"H
- ST784E
22-1/8"L x 10"W
x 17-3/4"H

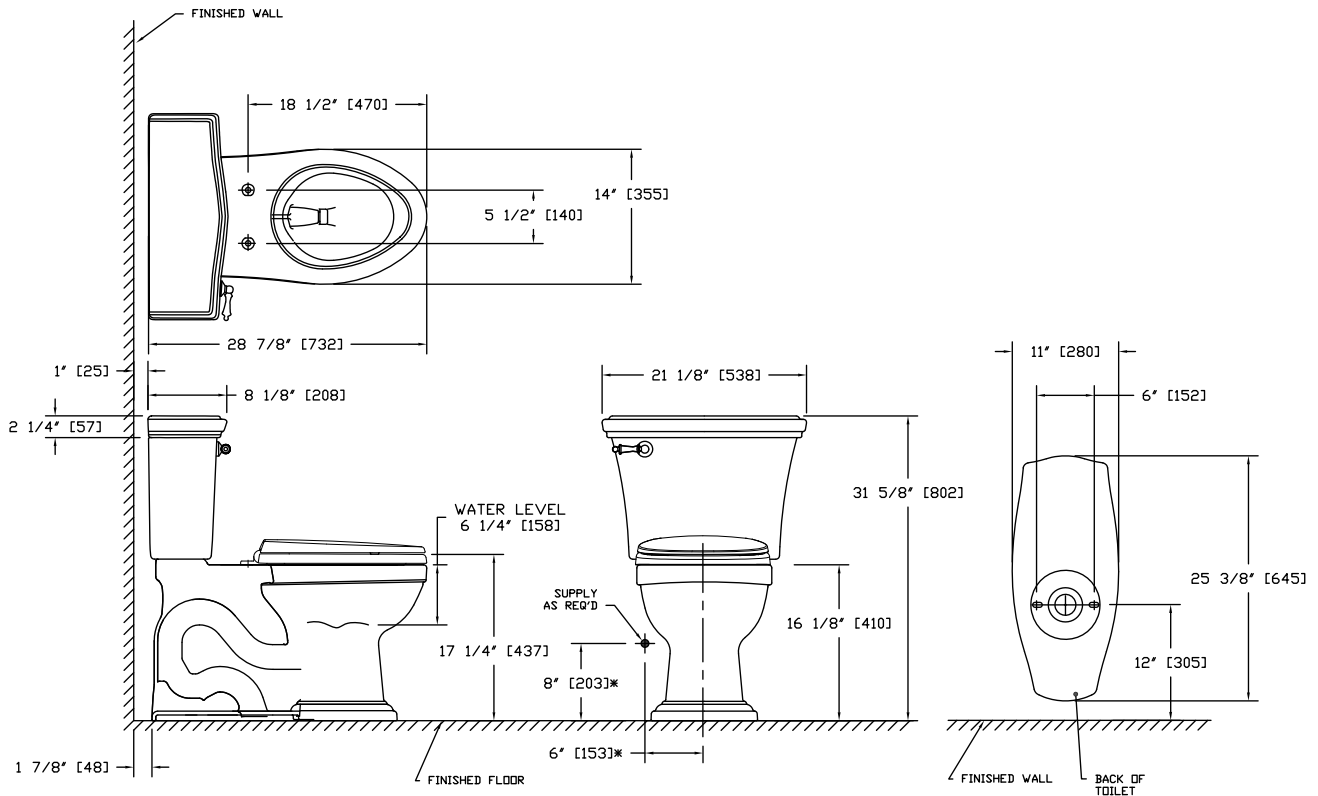
INSTALLATION NOTES

Back-to-Back Toilet Installations:

TOTO recommends the use of a nationally listed, double sanitary tee-wye only, in vertical waste stacks, in accordance with the stipulations noted in the majority of nationally recognized plumbing codes.



To maintain adequate wall gap between the back of the tank and wall, mount the floor flange at a nominal 12" rough-in distance.



*SUGGESTED DIMENSIONS

TOTO

These dimensions and specifications are subject to change without notice