

Whitney® Pedestal Lavatory

FEATURES

- 25" x 19"
- Traditional styling
- 34" Universal Height for maximum comfort
- Rear overflow
- Vitreous china pedestal and lavatory combination complete with mounting hardware

MODELS

- LPT754
Pedestal lavatory with single hole
- LPT754.4
Pedestal lavatory with 4" faucet centers
- LPT754.8
Pedestal lavatory with 8" faucet centers
- Available Components:
 - LT754
Lavatory with single hole
 - LT754.4
Lavatory with 4" faucet centers
 - LT754.8
Lavatory with 8" faucet centers
 - PT754
Pedestal only, with mounting hardware

COLORS/FINISHES

- #01 Cotton
- #03 Bone
- #11 Colonial White
- #12 Sedona Beige
- #51 Ebony



Faucet sold separately

CODES/STANDARDS

- Meets and exceeds ASME A112.19.2/CSA B45.1
- Certifications: IAPMO(cUPC), State of Massachusetts, City of Los Angeles, and others
- Code compliance: UPC, IPC, NSPC, NPC Canada, and others
- Complies with CA Prop 65 warning requirements



PRODUCT SPECIFICATION

The lavatory shall be 25" length and 19" depth. The basin shall be 18-5/8" length and 11-3/4" width. The lavatory shall be made of vitreous china and be 34" universal height with rear overflow. Lavatory shall be TOTO Model LPT754_____.

LPT754

Whitney® Pedestal Lavatory

SPECIFICATIONS

- Waste 1-1/4" O.D.
- Size 25" L x 19" D
- Basin 18-5/8" L x 11-3/4" W
- Warranty One Year Limited Warranty
- Material Vitreous china
- Shipping Weight LT754/LT754.4/LT754.8 44 lbs.

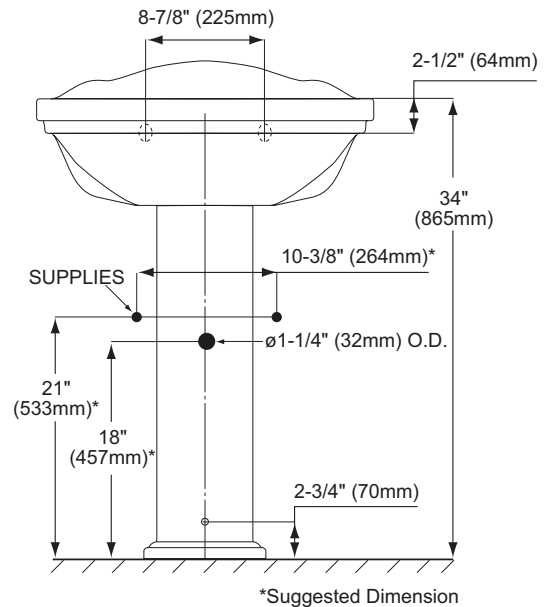
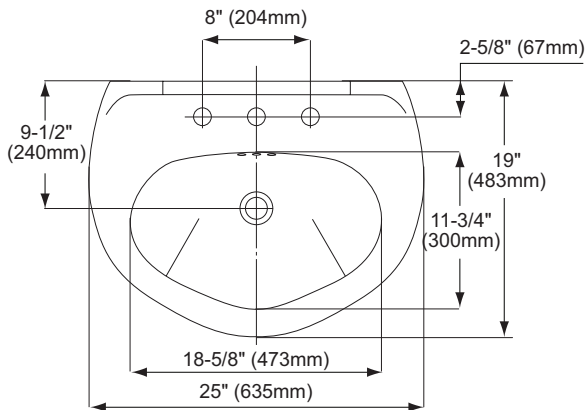
PT754
32.5 lbs.

- Shipping Dimensions LT754/LT754.4/LT754.8 28" L x 22-5/8" W x 13-3/4" H

PT754
29-1/8" L x 11-1/4" W
x 11-1/2" H

INSTALLATION NOTES

Requires PT754 pedestal for support. Use proper back support to mount product.



TOTO®

These dimensions and specifications are subject to change without notice

Ph: (888) 295-8134 | Fax: (800) 699-4889 | www.totousa.com

Printed in U.S.A. | © TOTO USA 06/09 | Printed on recycled paper ♻️

#SS-00310, v.01