

Prominence® Self-Rimming Lavatory

FEATURES

- 23-1/4" x 19-1/4"
- Front overflow
- Vitreous china
- ADA compliant
- Complete with installation template

MODELS

- LT521
Lavatory with single hole faucet center
- LT521.4
Lavatory with 4" faucet centers
- LT521.8
Lavatory with 8" faucet centers



COLORS/FINISHES

- #01 Cotton
- #03 Bone
- #11 Colonial White
- #12 Sedona Beige
- #51 Ebony

CODES/STANDARDS

- Meets and exceeds ASME A112.19.2/CSA B45.1
- Certifications: IAPMO(cUPC), State of Massachusetts, City of Los Angeles, and others
- ADA compliant
- Code compliance: UPC, IPC, NSPC, NPC Canada, and others



PRODUCT SPECIFICATION

The self-rimming lavatory shall be made of vitreous china. Lavatory shall be 23-1/4" in length and 19-1/4" in width. Product shall be with overflow and lavatory shall include mounting assembly and be ADA compliant. Lavatory shall be TOTO Model LT521_____.

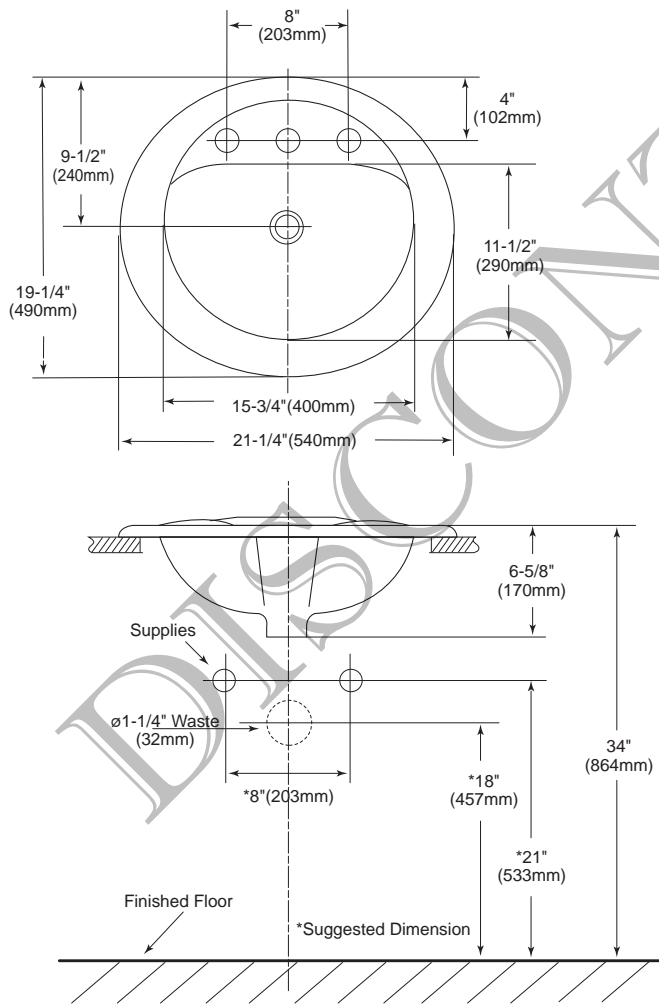
LT521

Prominence® Self-Rimming Lavatory

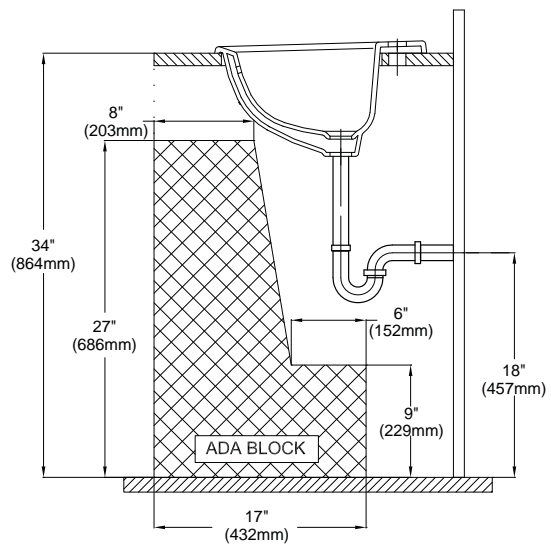
SPECIFICATIONS

- Waste 1-1/4" O.D.
- Size 21-1/4"W x 19-1/4"D
- Basin 15-3/4"W x 11-1/2"D
- Warranty One Year Limited Warranty
- Material Vitreous china
- Shipping Weight 22 lbs.
- Shipping Dimensions 22-1/2"W x 20-5/8"D x 9-1/2"H

INSTALLATION NOTES



ADA Compliance Check



TOTO®

These dimensions and specifications are subject to change without notice