

Mercer® Close Coupled Toilet, 1.6GPF

FEATURES

- G-Max® flushing system, (1.6GPF/6.0LPF)
- Universal Height
- High profile two-piece toilet
- Elongated front bowl with SoftClose® seat (SS204)
- Chrome trip lever
- 12" Rough-in, less supply
- ADA compliant

MODELS

- MS756204SF
SS204 SoftClose seat included

COLORS/FINISHES

- Standard
 - #01 Cotton
 - #03 Bone
 - #11 Colonial White
 - #12 Sedona Beige
 - #51 Ebony



GMAX
FLUSHING SYSTEM BY TOTO®

PRODUCT SPECIFICATION

The two-piece low consumption G-Max flushing system toilet shall be 1.6GPF/6.0LPF. Toilet shall be at Universal Height. Toilet shall have a high-profile tank, elongated front bowl with SoftClose seat and Chrome trip lever. Toilet shall be TOTO Model MS756204SF _____.

CODES/STANDARDS

- Meets and exceeds ASME A112.19.2/CSA B45.1,
- Certifications: IAPMO(cUPC), State of Massachusetts, City of Los Angeles, and others
- Code compliance: UPC, IPC, NSPC, NPC Canada, and others
- ADA compliant (when installed with trip lever located on the approach side)



MS756204SF

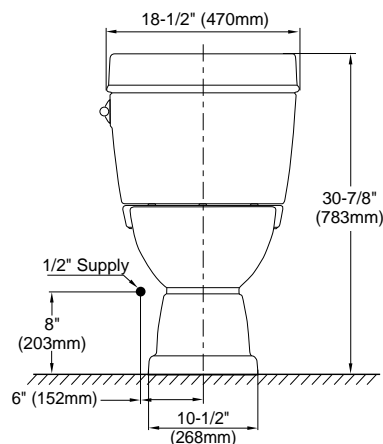
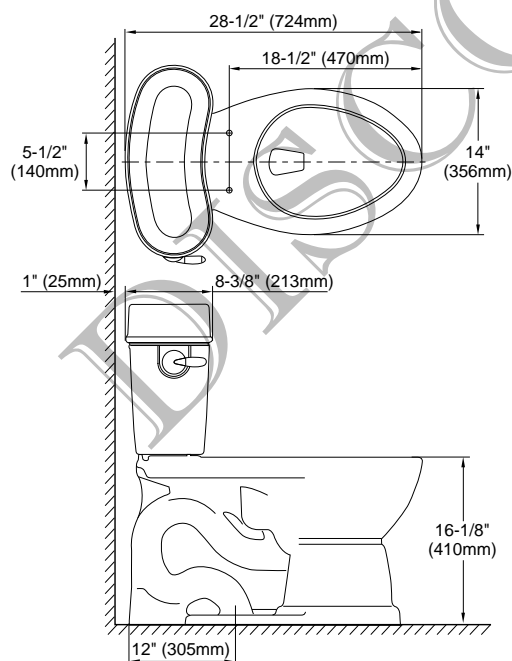
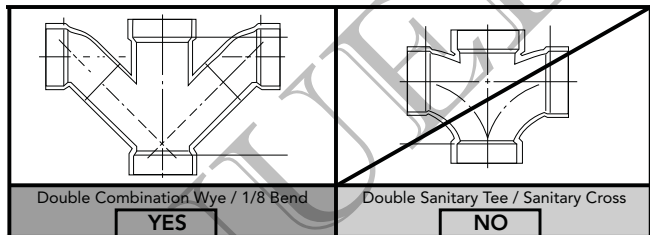
Mercer® Close Coupled Toilet, 1.6GPF

SPECIFICATIONS

- Water Use 1.6 GPF/6.0LPF
- Flush System G-Max®
- Min. Water Pressure 8 psi (static)
- Water Surface 10-1/2" x 8-1/4"
- Trap Diameter 2-1/8"
- Rough-in 12"
- Trap Seal 2-1/4"
- Warranty One Year Limited Warranty
- Material Vitreous china
- Shipping Weight CM756204SF 74.5 lbs.
ST755S 31.3lbs.
- Shipping Dimensions CM756204SF
30-1/8" L x 16-3/4" W
x 22" H
ST755S
8-7/8" L x 20-5/8" W
x 18-3/8" H

INSTALLATION NOTES

Back-to-Back Toilet Installations:
TOTO recommends the use of a nationally listed, double sanitary tee-wye only, in vertical waste stacks, in accordance with the stipulations noted in the majority of nationally recognized plumbing codes.



TOTO®

These dimensions and specifications are subject to change without notice