

Features

- 32⁶³/₆₄" (838) x 22¹/₆₄" (559) x 9" (229) top mount kitchen sink.
- Double (large/small) compartments.
- 18 gauge 304 stainless steel.
- Small sink on right.
- Rear center drain locations.
- Brushed finish.
- Superior undercoating for added sound insulation.
- 3mm sound deadening pads on all 4 sink sides and bottom. Up to 3 times heavier than competitive models.
- Fits 36" base cabinet width.

Components

Product includes:

- Cutout Template
- Installation Hardware
- Installation Instructions

shown with Transolid
T3590-PC/01 faucet

Options

- TSGC3322D2 Stainless Steel Bottom Sink Grid Set
- TCBC1217 Bamboo Cutting Board
- 2210R Covered Sink Strainer
- 4010 Covered Disposer Strainer

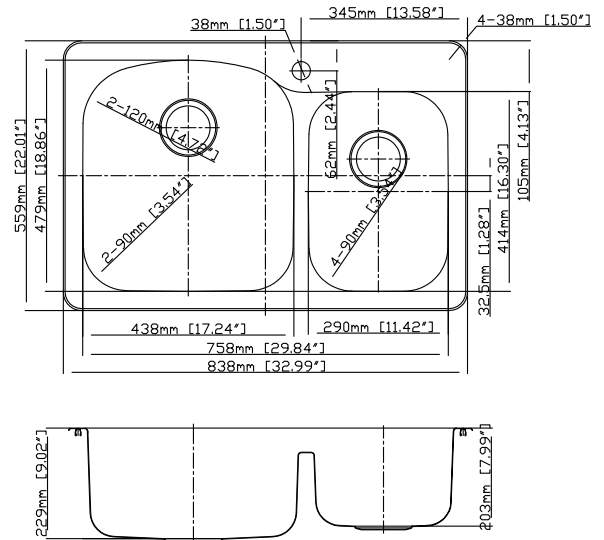
Warranty

- Lifetime Limited Warranty



Specified Model

Model	CTDD33229
Overall Dimensions	L32 ⁶³ / ₆₄ " x W22 ¹ / ₆₄ " x D9" 838 x 559 x 229
Bowl Dimensions (Left)	L17 ¹ / ₄ " x W18 ⁵⁵ / ₆₄ " x D9" 438 x 479 x 229
Bowl Dimensions (Right)	L11 ³ / ₈ " x W16 ¹ / ₄ " x D8" 290 x 414 x 203
Drain holes:	3 ⁵ / ₈ " (92mm)
Shipping Weight	23 lbs.
Material	18 gauge 304 stainless steel
Installation	counter top mounted
Required	template, included



To Be Specified:

see back for configurations available for this sink

Faucet Hole Drillings	
<input type="checkbox"/>	1 Hole
<input type="checkbox"/>	2 Holes

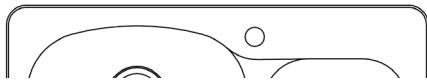
Codes/Standards

ASME A112.19.3/CSA B45.4

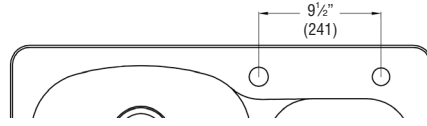
Notes

Install this product according to the installation instructions.

Faucet Hole Configurations available for this sink model



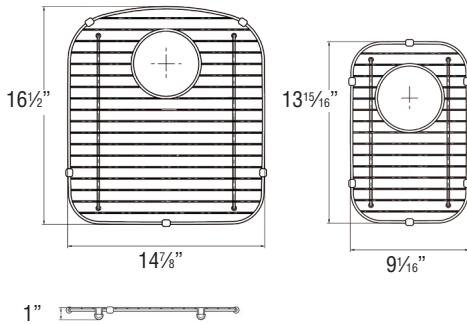
One faucet hole



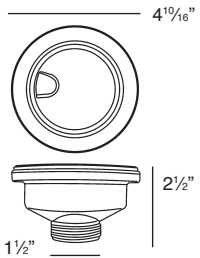
Two faucet holes

Optional Accessories

TSGC3322D2 Bottom Sink Grid Set

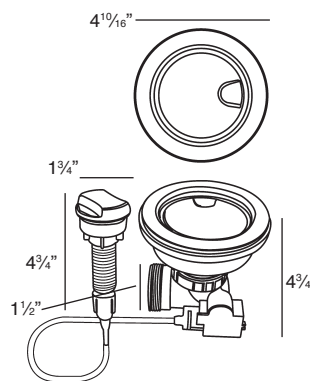


2210R Covered Flip Top Sink Strainer.



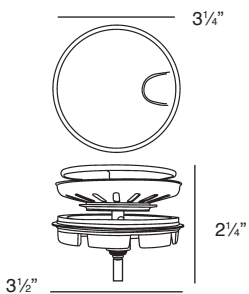
Water drains easily when cover is in place. Cover flips up with easy touch. Cover makes a flat surface at the sink bottom that prevents food waste from getting into the strainer basket for easy sink clean up. Polypropylene housing. Fits standard 3 1/2" opening.

2310 Remote Covered Flip Top Sink Strainer.



Turn the remote knob to open and close drain. Water drains easily when cover is in place. Cover flips up with easy touch. Cover makes a flat surface at the sink bottom that prevents food waste from getting into the strainer basket for easy sink clean up. Polypropylene housing. Fits standard 3 1/2" opening. 1 3/8" hole required in countertop for remote installation. Remote cable 25 1/2" L.

4010 Covered Flip Top Disposer Strainer.



Water drains easily when cover is in place. Cover flips up with easy touch. Polypropylene housing. Top mount installation for 3 1/2" opening.