



Features

- 32³/₈" (823) x 18⁷/₆₄" (460) x 5" (127) undermount kitchen sink.
- Double equal compartments.
- 18 gauge 304 stainless steel.
- ADA compliant.
- Rear center drain location.
- Brushed finish.
- Superior undercoating for added sound insulation.
- 3mm sound deadening pads on all 4 sink sides and bottom. Up to 3 times heavier than competitive models.
- Fits 36" base cabinet width.

Components

- Product includes:
Cutout Template
Installation Hardware
Installation Instructions

shown with Transolid T3560-LS/RD faucet



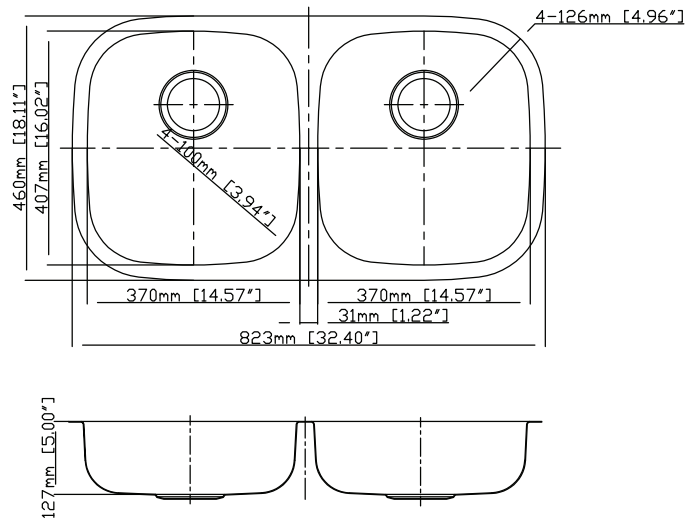
Options

- TSGM3218E2 Stainless Steel Bottom Sink Grid Set
- TCBM1517 Bamboo Cutting Board
- 2210R Covered Sink Strainer
- 4010 Covered Disposer Strainer

Warranty

- Lifetime Limited Warranty

Model	CUDE32185
Overall Dimensions	L32 ³ / ₈ " x W18 ⁷ / ₆₄ " x D5" 823 x 460 x 127
Bowl Dimensions (Left)	L14 ⁹ / ₁₆ " x W16 ¹ / ₃₂ " x D5" 370 x 407 x 127
Bowl Dimensions (Right)	L14 ⁹ / ₁₆ " x W16 ¹ / ₃₂ " x D5" 370 x 407 x 127
Drain holes:	3 ⁵ / ₈ " (92mm)
Shipping Weight	20 lbs.
Material	18 gauge 304 stainless steel
Installation	under counter mounted
Required	template, included



Codes/Standards

ASME A112.19.3/CSA B45.4



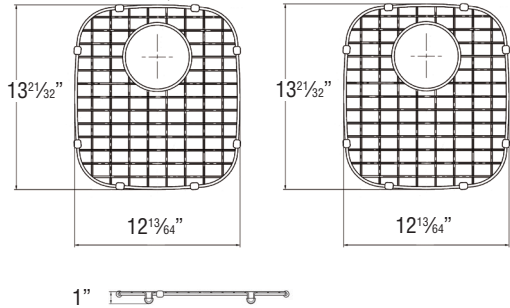
This sink is compliant to ADA and ANSI/ICC A117.1 accessibility requirements when installed according to the requirements outlined in these standards.

Notes

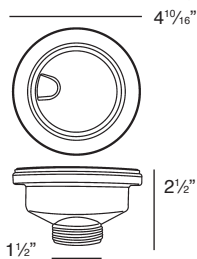
Install this product according to the installation instructions.

Optional Accessories

TSGM3218E2 Bottom Sink Grid Set

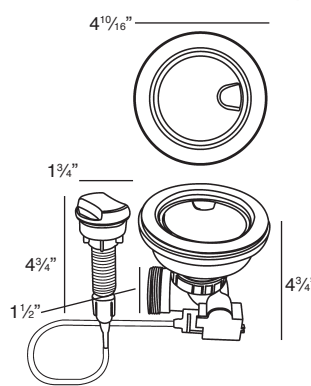


2210R Covered Flip Top Sink Strainer.



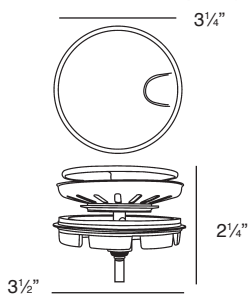
Water drains easily when cover is in place. Cover flips up with easy touch. Cover makes a flat surface at the sink bottom that prevents food waste from getting into the strainer basket for easy sink clean up. Polypropylene housing. Fits standard 3 1/2" opening.

2310 Remote Covered Flip Top Sink Strainer.



Turn the remote knob to open and close drain. Water drains easily when cover is in place. Cover flips up with easy touch. Cover makes a flat surface at the sink bottom that prevents food waste from getting into the strainer basket for easy sink clean up. Polypropylene housing. Fits standard 3 1/2" opening. 1 3/8" hole required in countertop for remote installation. Remote cable 25 1/2" L.

4010 Covered Flip Top Disposer Strainer.



Water drains easily when cover is in place. Cover flips up with easy touch. Polypropylene housing. Top mount installation for 3 1/2" opening.