

**Features**

- 32<sup>3</sup>/<sub>8</sub>" (823) x 18<sup>7</sup>/<sub>64</sub>" (460) x 8" (203) undermount kitchen sink.
- Double equal compartments.
- 18 gauge 304 stainless steel.
- Rear center drain location.
- Brushed finish.
- Superior undercoating for added sound insulation.
- 3mm sound deadening pads on all 4 sink sides and bottom. Up to 3 times heavier than competitive models.
- Fits 36" base cabinet width.

**Components**

- Product includes:  
Cutout Template  
Installation Hardware  
Installation Instructions

shown with Transolid  
T3550-PC faucet



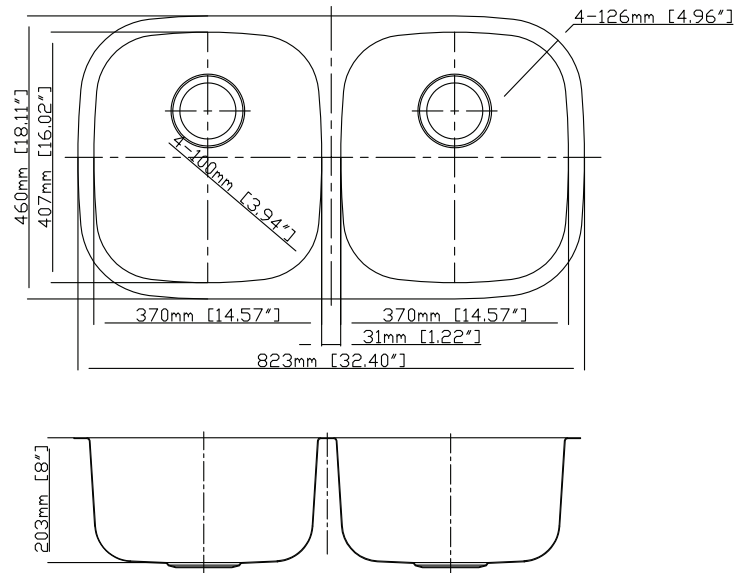
**Options**

- TSGM3218E2 Stainless Steel Bottom Sink Grid Set
- TCBM1517 Bamboo Cutting Board
- 2210R Covered Sink Strainer
- 4010 Covered Disposer Strainer

**Warranty**

- Lifetime Limited Warranty

Model	CUDE32188
Overall Dimensions	L32 <sup>3</sup> / <sub>8</sub> " x W18 <sup>7</sup> / <sub>64</sub> " x D8" 823 x 460 x 203
Bowl Dimensions (Left)	L14 <sup>9</sup> / <sub>16</sub> " x W16 <sup>1</sup> / <sub>32</sub> " x D8" 370 x 407 x 203
Bowl Dimensions (Right)	L14 <sup>9</sup> / <sub>16</sub> " x W16 <sup>1</sup> / <sub>32</sub> " x D8" 370 x 407 x 203
Drain holes:	3 <sup>5</sup> / <sub>8</sub> " (92mm)
Shipping Weight	23 lbs.
Material	18 gauge 304 stainless steel
Installation	under counter mounted
Required	template, included



**Codes/Standards**

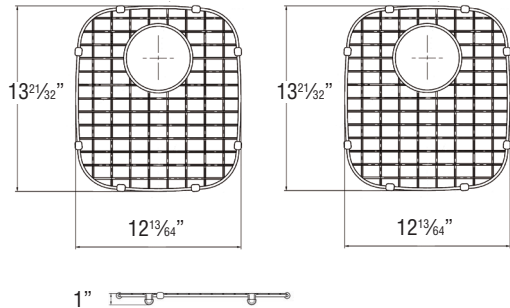
ASME A112.19.3/CSA B45.4

**Notes**

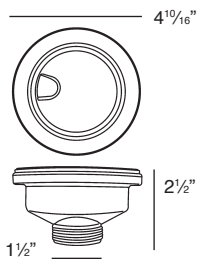
Install this product according to the installation instructions.

**Optional Accessories**

TSGM3218E2 Bottom Sink Grid Set

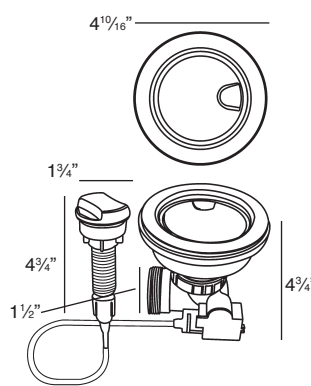


**2210R Covered Flip Top Sink Strainer.**



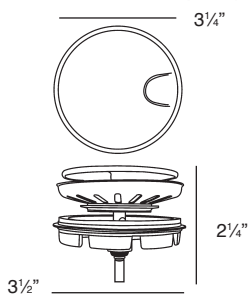
Water drains easily when cover is in place. Cover flips up with easy touch. Cover makes a flat surface at the sink bottom that prevents food waste from getting into the strainer basket for easy sink clean up. Polypropylene housing. Fits standard 3 1/2" opening.

**2310 Remote Covered Flip Top Sink Strainer.**



Turn the remote knob to open and close drain. Water drains easily when cover is in place. Cover flips up with easy touch. Cover makes a flat surface at the sink bottom that prevents food waste from getting into the strainer basket for easy sink clean up. Polypropylene housing. Fits standard 3 1/2" opening. 1 5/8" hole required in countertop for remote installation. Remote cable 25 1/2" L.

**4010 Covered Flip Top Disposer Strainer.**



Water drains easily when cover is in place. Cover flips up with easy touch. Polypropylene housing. Top mount installation for 3 1/2" opening.