

FEATURES

- 63¹/₂" x 37³/₄" Shower Walls for new and existing construction.
- Thick 1/4" 100% solid surface material bonded to an 1-1/4" thick aluminum honeycomb polyurethane filled backer for superior strength. Fire retardant wood backer. Solid surface material is easy to clean and will not support bacteria growth.
- 4-piece wall design glues directly to studs with supplied adhesive. Back wall can be alternately installed with aluminum hanging rail provided.
- Aluminum channel joints for easy installation and uniform structure.
- Four wall shelves included for convenient storage.
- Wall Kit includes one pc. bullnose molding for use over lap joint on back wall, 8" long chrome shower arm, 15" slotted hanging rail, four 11-oz. tubes quick dry panel adhesive and two 11-oz. tubes 100% silicone adhesive.
- 10 Year Limited Residential Warranty / 3 Year Commercial Warranty

COLORS

- 3 Transitions colors with a 16" x 16" square tile pattern.
- 2 Classic colors with plain pattern

OPTIONS

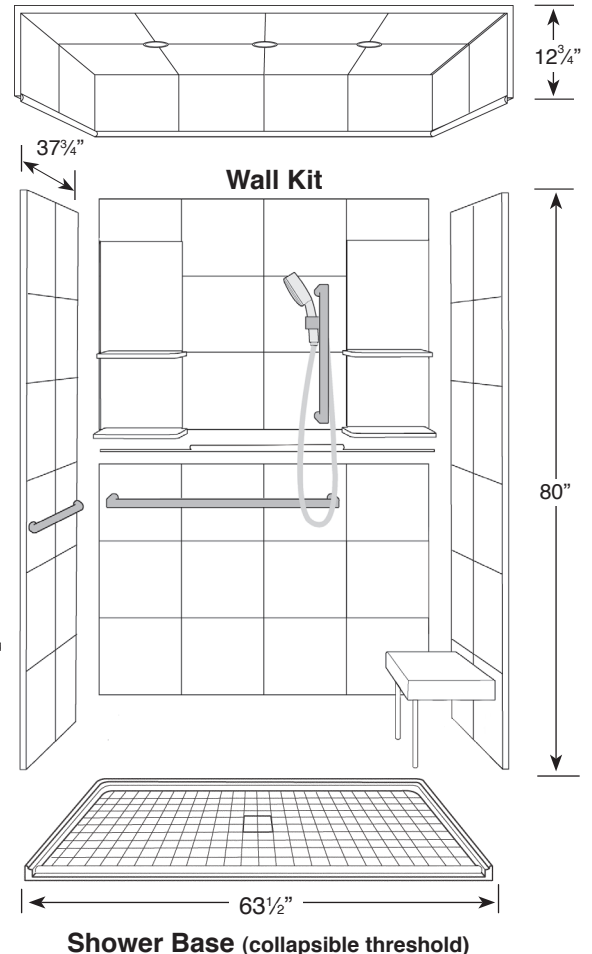
- Dome Top slides in place and sits on top of the shower walls forming a complete 8' shower enclosure. The dome contains (3) waterproof UL approved 12 volt LED lights (40 year life).
- Shower base with concealed drain. Collapsible threshold (shown) and Trench drain (see separate specification sheet) models available.
- Safety grab bar sets, personal hand shower and fold-up shower seat.



Shown with FC6338 Shower Base, T6381 Dome Top and GB3729PS Grab Bar set, GBHS18PS Hand Shower

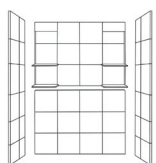
Dome Top

	SIZE	MODEL NO.	DESCRIPTION	Width	Depth	Height
COMPLETE SHOWER KITS						
Shower Kits with Collapsible Threshold Base						
<input type="checkbox"/>	63" x 38"	DKWFC6388	Walls & Base Kit	63 ¹ / ₂ "	37 ³ / ₄ "	83"
<input type="checkbox"/>	63" x 38"	DKWFC6388	Walls, Base, Dome Kit	63 ¹ / ₂ "	37 ³ / ₄ "	95 ³ / ₄ "
SHOWER WALLS (only) KIT						
<input type="checkbox"/>	63" x 38"	DKW3988	Wall Kit	63 ¹ / ₂ "	37 ³ / ₄ "	80"
	63" x 80"	DB638A	Back Wall (1 pc.)	63 ¹ / ₂ "		80"
	38" x 80"	DE388A	End Wall Set (2 pcs.)		37 ³ / ₄ "	80"
INDIVIDUAL COMPONENTS						
<input type="checkbox"/>	63" x 38"	T6381	Dome Top	63 ¹ / ₂ "	37 ³ / ₄ "	12 ³ / ₄ "
SHOWER BASE						
<input type="checkbox"/>	63" x 38"	FC6338	Collapsible Threshold	63 ¹ / ₂ "	37 ³ / ₄ "	3"

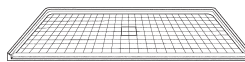


To Be Specified: Pattern/Color (see below)

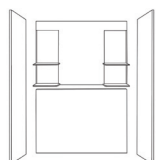
16" Square Tile Pattern / Colors



	Shower Walls	Shower Base
<input type="checkbox"/>	91 White Carrara	11 Storm
<input type="checkbox"/>	94 Sand Mountain	14 Sand
<input type="checkbox"/>	96 Almond Sky	05 Almond



Plain / Colors



	Shower Walls	Shower Base
<input type="checkbox"/>	01 White	01 White
<input type="checkbox"/>	86 Sea Shore	86 Sea Shore

63 $\frac{1}{2}$ " x 37 $\frac{3}{4}$ " ADA shower DKWFC6388 - collapsible threshold



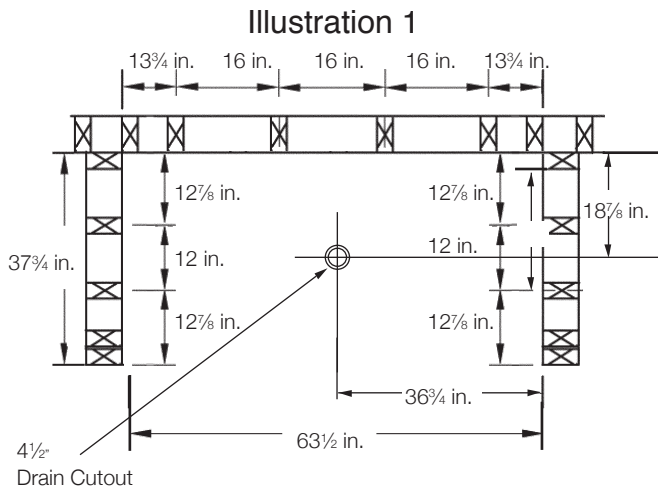
DIRECT-TO-STUD

INSTALLATION NOTES

This product is to be installed according to the installation guide.

Drain cutout in subfloor to be 4-1/2" diameter and located per the rough-in Illustration 1. Dry fit the shower base to ensure a proper fit and correct alignment of the shower drain and the hole in the floor.

Unit can be installed with aluminum hanging rail provided. Alternate adhesive method of installation can be used without the use of the hanging rail (see full instructions for details). Position of hanging rail mounting is also critical. See Illustration 2 for horizontal positioning of hanging rail. The top of the hanging rail to be positioned at 76" above finished floor when using a 3" high Transolid shower base. When you do not use a Transolid shower base the upper hanging rail should be installed 73" above the finished threshold.



Strong 2-layer construction

1 $\frac{1}{4}$ " thick Aluminum Honeycomb Backer provides strength and structure.

1/4" thick solid surface material for beauty and smooth bacteria free surface

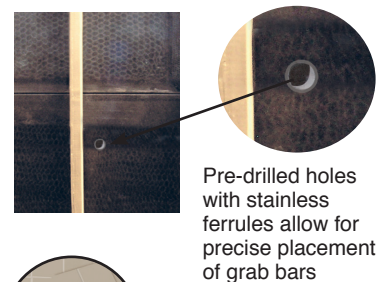
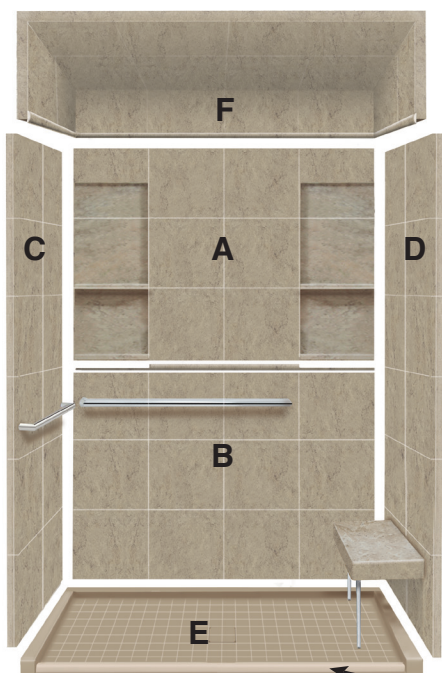
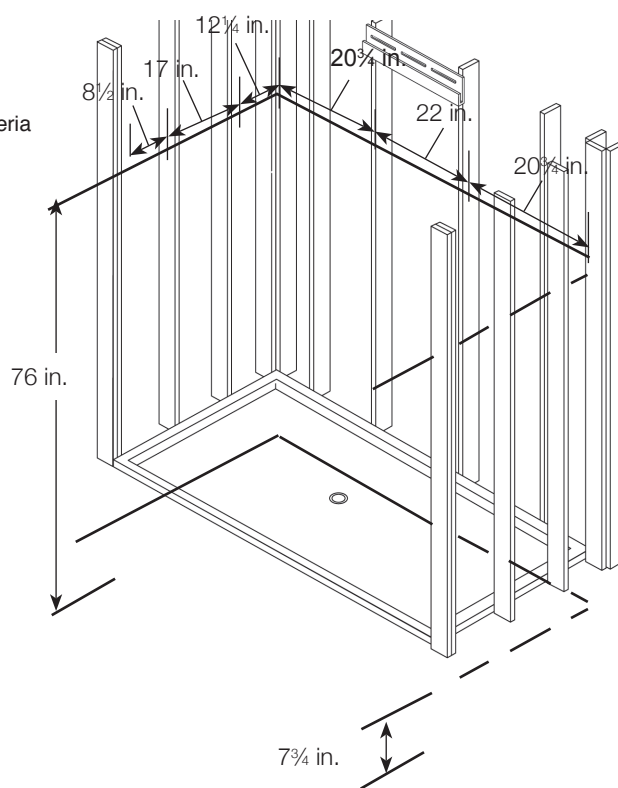


Illustration 2



Collapsible threshold allows for roll-in entry, but doesn't allow water to flow out of base.

	MODEL NO.	DESCRIPTION
A	DB638AU	Upper Back Wall (1 panel)
B	DB638AD	Lower Back Wall (1 panel)
C	DE388AL	Left End Wall (1 panel)
D	DE388AR	Right End Wall (1 panel)
E	FC6338	Collapsible Threshold Shower Base - center drain
F	T6381	Dome Top with (3) LED Lights

Compliance Certifications - Meets or Exceeds the Following Specifications

- IGC 154-2012
- ASME A112.18.1 / CSA B125.125.1-11
- cUPC®

Showers will comply with the Americans with Disabilities Act when installed per requirements of the 2010 ADA Standards for Accessible Design, Section 608 Shower Compartments, of the Act.

OPTIONS: ACCESSORIES

Available for on-site installation. Must be ordered separately. See Accessories Specification for further information.

SHOWER SEAT & GRAB BAR SETS	
MODEL	DESCRIPTION
<input type="checkbox"/> H2513	Rectangular Fold-up Seat
<input type="checkbox"/> GB3729PS	1 $\frac{1}{4}$ " Grab Bar Set: (1) 29", (1) 37" Pol. Stainless
<input type="checkbox"/> GB5329PS	1 $\frac{1}{4}$ " Grab Bar Set: (2) 29", (1) 53" Pol. Stainless
<input type="checkbox"/> GBHS18PS	Hand Shower with 18" ADA Bar