

**Features**

- 29<sup>51</sup>/<sub>64</sub>" (757) x 19<sup>45</sup>/<sub>64</sub>" (500) x 9<sup>29</sup>/<sub>32</sub>" (252) kitchen sink.
- Single compartment.
- Sink is glazed on all four exterior sides. Suitable for undermount, flush mount, built-up, or above counter installation.
- Farmhouse style with a wrap around 9<sup>29</sup>/<sub>32</sub>" (252) high apron front.
- Front panel is reversible. French pattern on one side, plain front (no pattern) on other side.
- Made of highest grade fireclay, which is clay heated to an extremely high 1600° making the sink hard and durable, with a beautiful high shine.
- Durability of fireclay means it is resistant to scratches and chips and is easy to clean.
- Extra deep bowl means more room for big pots.
- Fits 36" (914) minimum base cabinet width.

**Components**

Product includes:  
Installation Instructions

**Options**

- 2210R Covered Sink Strainer
- 4010 Covered Disposer Strainer

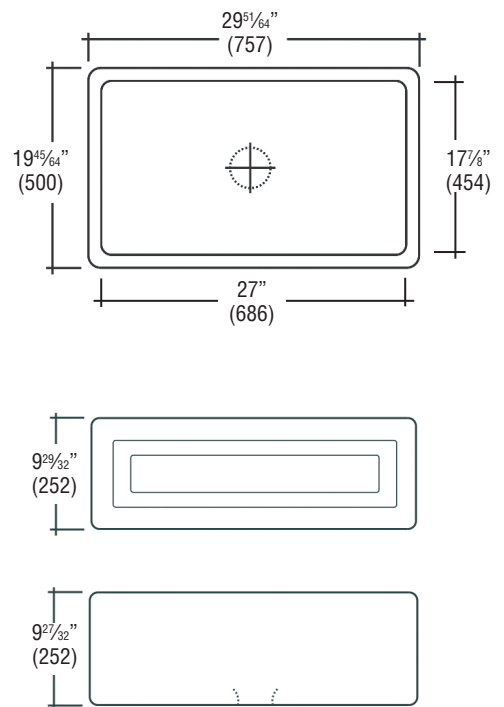
**Warranty**

- Lifetime Limited Warranty



**Specified Model**

| Model              | FUSH302010  |
|--------------------|---|
| Overall Dimensions | L29 <sup>51</sup> / <sub>64</sub> " x W19 <sup>45</sup> / <sub>64</sub> " x D9 <sup>29</sup> / <sub>32</sub> "<br>757 x 500 x 252 |
| Bowl Dimensions    | L27" x W17 <sup>7</sup> / <sub>8</sub> " x D9 <sup>1</sup> / <sub>2</sub> "<br>686 x 454 x 241                                    |
| Drain hole:        | 3 <sup>5</sup> / <sub>8</sub> " (92mm)  |
| Shipping Weight    | 100.3 lbs. 45.5 kg.   |
| Material           | Fireclay  |
| Color              | White   |
| Installation       | under counter mounted   |
| Required           | template, included  |



**Codes/Standards**

ASME A112.19.3/CSA B45.4

**Notes**

Install this product according to the installation instructions.