

Features

- 31½" (800) x 20½" (520) / 18" (406) x 9" (229) undermount kitchen sink.
- Double (large/small) compartments.
- 16 gauge 304 stainless steel.
- Smaller sink on right.
- Rear center drain location.
- Brushed finish with highlight rim.
- Superior undercoating for added sound insulation.
- 3mm sound deadening pads on all 4 sink sides and bottom. Up to 3 times heavier than competitive models.
- Fits 36" base cabinet width.

Components

- Product includes:
Cutout Template
Installation Hardware
Installation Instructions

shown with Transolid
T3540-PC faucet



Options

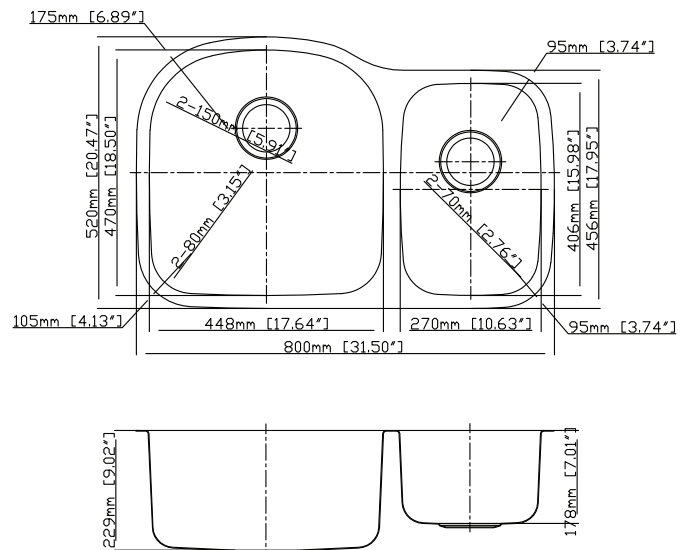
- TSGM3221D2 Stainless Steel Bottom Sink Grid Set
- TCBM1117 Bamboo Cutting Board (for small bowl)
- 2210R Covered Sink Strainer
- 4010 Covered Disposer Strainer

Warranty

- Lifetime Limited Warranty

Specified Model

Model	MUDD32219
Overall Dimensions	L31½" x W20½" / 17⅝" x D9" 800 x 520 / 406 x 229
Bowl Dimensions (Left)	L17⅜" x W18½" x D9" 448 x 470 x 229
Bowl Dimensions (Right)	L10⅝" x W16" x D7" 270 x 406 x 178
Drain holes:	3⅝" (92mm)
Shipping Weight	37 lbs.
Material	16 gauge 304 stainless steel
Installation	under counter mounted
Required	template, included



Codes/Standards

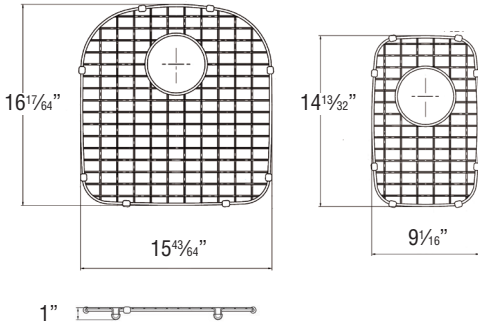
ASME A112.19.3/CSA B45.4

Notes

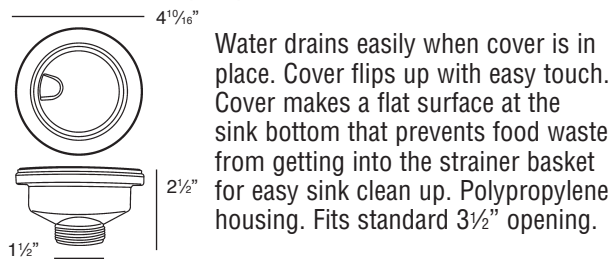
Install this product according to the installation instructions.

Optional Accessories

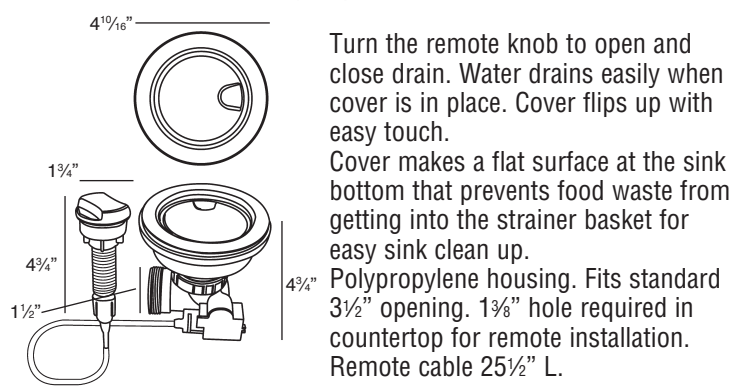
TSGM3221D2 Bottom Sink Grid Set



2210R Covered Flip Top Sink Strainer.



2310 Remote Covered Flip Top Sink Strainer.



4010 Covered Flip Top Disposer Strainer.

