

**Features**

- 32<sup>3</sup>/<sub>8</sub>" (823) x 18<sup>1</sup>/<sub>8</sub>" (460) x 9" (229) undermount kitchen sink.
- Double equal compartments.
- 16 gauge 304 stainless steel.
- Rear center drain location.
- Brushed finish with highlight rim.
- Superior undercoating for added sound insulation.
- 3mm sound deadening pads on all 4 sink sides and bottom. Up to 3 times heavier than competitive models.
- Fits 36" base cabinet width.

**Components**

- Product includes:  
Cutout Template  
Installation Hardware  
Installation Instructions

**Options**

- TSGM3218E2 Stainless Steel Bottom Sink Grid Set
- TCBM1517 Bamboo Cutting Board
- 2210R Covered Sink Strainer
- 4010 Covered Disposer Strainer

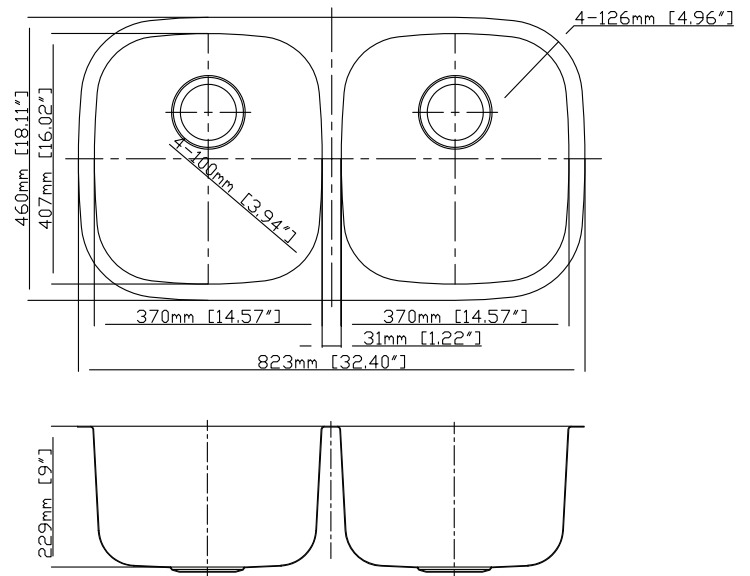
**Warranty**

- Lifetime Limited Warranty



**Specified Model**

Model	MUDE32189
Overall Dimensions	L32 <sup>3</sup> / <sub>8</sub> " x W18 <sup>1</sup> / <sub>8</sub> " x D9" 823 x 460 x 229
Bowl Dimensions (Left)	L14 <sup>9</sup> / <sub>16</sub> " x W16 <sup>1</sup> / <sub>32</sub> " x D9" 370 x 407 x 229
Bowl Dimensions (Right)	L14 <sup>9</sup> / <sub>16</sub> " x W16 <sup>1</sup> / <sub>32</sub> " x D9" 370 x 407 x 178
Drain holes:	3 <sup>5</sup> / <sub>8</sub> " (92mm)
Shipping Weight	37 lbs.
Material	16 gauge 304 stainless steel
Installation	under counter mounted
Required	template, included



**Codes/Standards**

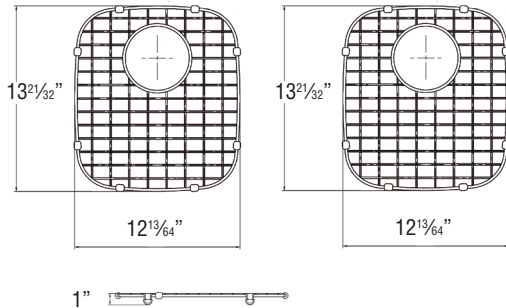
ASME A112.19.3/CSA B45.4

**Notes**

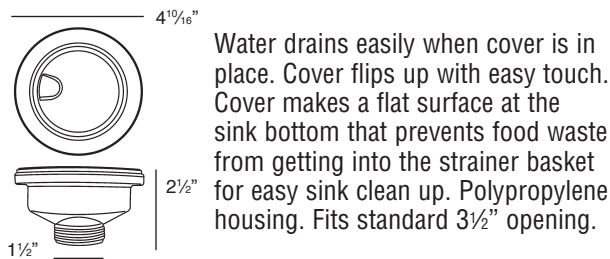
Install this product according to the installation instructions.

**Optional Accessories**

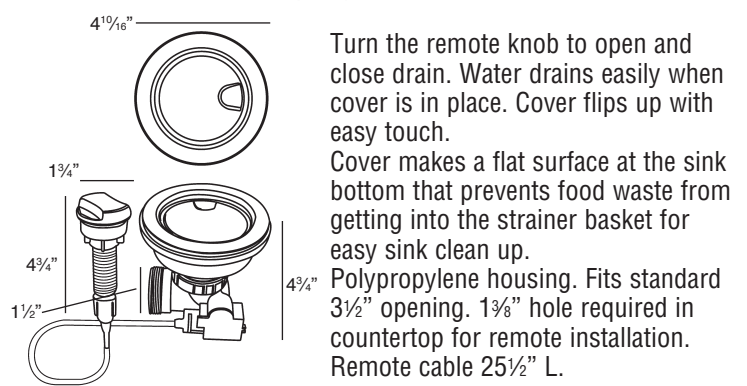
TSGM3218E2 Bottom Sink Grid Set



**2210R Covered Flip Top Sink Strainer.**



**2310 Remote Covered Flip Top Sink Strainer.**



**4010 Covered Flip Top Disposer Strainer.**

