

**Features**

- 23<sup>5</sup>/<sub>8</sub>" (600) x 21" (532) x 9" (229) undermount kitchen sink.
- D-shape single compartment.
- 16 gauge 304 stainless steel.
- Rear center drain location.
- Brushed finish with highlight rim.
- Superior undercoating for added sound insulation.
- 3mm sound deadening pads on all 4 sink sides and bottom. Up to 3 times heavier than competitive models.
- Fits 27" base cabinet width.

**Components**

- Product includes:  
Cutout Template  
Installation Hardware  
Installation Instructions

shown with Transolid  
T3530-LS faucet

**Options**

- TSGM24211 Stainless Steel Bottom Sink Grid
- TCBM1019 Bamboo Cutting Board
- 2210R Covered Sink Strainer or
- 4010 Covered Disposer Strainer

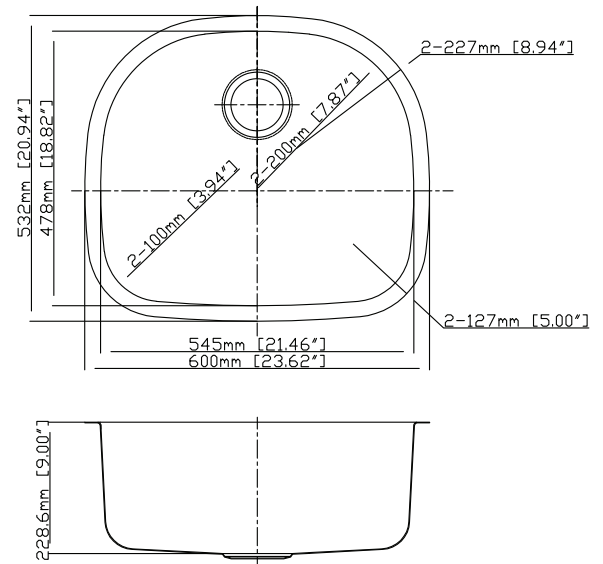
**Warranty**

- Lifetime Limited Warranty



**Specified Model**

Model	MUSB24219
Overall Dimensions	L23 <sup>5</sup> / <sub>8</sub> " x W21" x D9" 600 x 532 x 229
Bowl Dimensions	L21 <sup>29</sup> / <sub>64</sub> " x W18 <sup>13</sup> / <sub>16</sub> " x D9" 545 x 478 x 229
Drain hole:	3 <sup>5</sup> / <sub>8</sub> " (92mm)
Shipping Weight	30 lbs.
Material	16 gauge 304 stainless steel
Installation	under counter mounted
Required	template, included



**Codes/Standards**

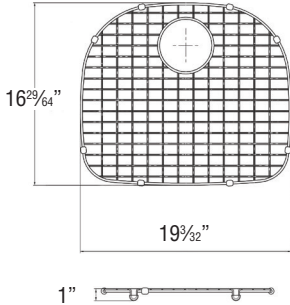
ASME A112.19.3/CSA B45.4

**Notes**

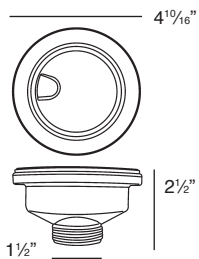
Install this product according to the installation instructions.

**Optional Accessories**

TSGM24211 Bottom Sink Grid

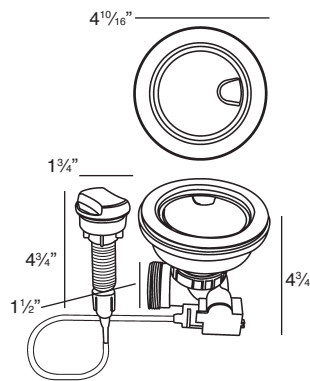


**2210R Covered Flip Top Sink Strainer.**



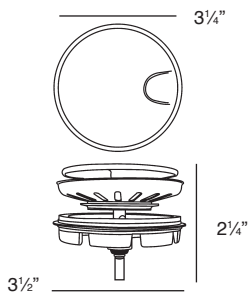
Water drains easily when cover is in place. Cover flips up with easy touch. Cover makes a flat surface at the sink bottom that prevents food waste from getting into the strainer basket for easy sink clean up. Polypropylene housing. Fits standard 3<sup>1</sup>/<sub>2</sub>" opening.

**2310 Remote Covered Flip Top Sink Strainer.**



Turn the remote knob to open and close drain. Water drains easily when cover is in place. Cover flips up with easy touch. Cover makes a flat surface at the sink bottom that prevents food waste from getting into the strainer basket for easy sink clean up. Polypropylene housing. Fits standard 3<sup>1</sup>/<sub>2</sub>" opening. 1<sup>1</sup>/<sub>8</sub>" hole required in countertop for remote installation. Remote cable 25<sup>1</sup>/<sub>2</sub>" L.

**4010 Covered Flip Top Disposer Strainer.**



Water drains easily when cover is in place. Cover flips up with easy touch. Polypropylene housing. Top mount installation for 3<sup>1</sup>/<sub>2</sub>" opening.