

Features

- 33" (838) x 22" / 18²¹/₃₂" (394) (559) x 9" (229) undermount kitchen sink.
- Single compartment with offset on left side.
- 16 gauge 304 stainless steel.
- Offset center drain location.
- Brushed finish with highlight rim.
- Superior undercoating for added sound insulation.
- 3mm sound deadening pads on all 4 sink sides and bottom. Up to 3 times heavier than competitive models.
- Fits 36" base cabinet width.

Components

Product includes:
Cutout Template
Installation Hardware
Installation Instructions

Options

TSGM33221 Stainless Steel Bottom Sink Grid
TCBM1416 Bamboo Cutting Board
2210R Covered Sink Strainer or
4010 Covered Disposer Strainer

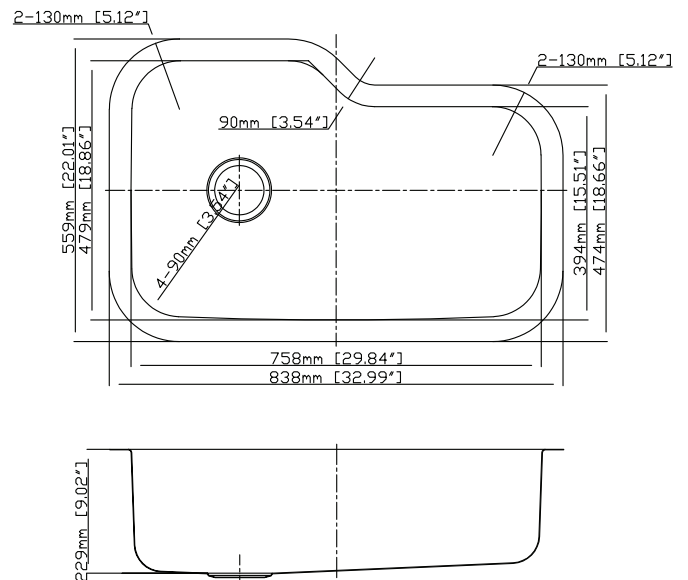
Warranty

- Lifetime Limited Warranty



Specified Model

Model	MUSO33229
Overall Dimensions	L33" x W22" / 18 ²¹ / ₃₂ " x D9" 838 x 559 / 474 x 229
Bowl Dimensions	L29 ²⁷ / ₃₂ " x W18 ⁵⁵ / ₆₄ " / 15 ³³ / ₆₄ " x D9" 758 x 559 / 394 x 229
Drain hole:	3 ⁵ / ₈ " (92mm)
Shipping Weight	37 lbs.
Material	16 gauge 304 stainless steel
Installation	under counter mounted
Required	template, included



Codes/Standards

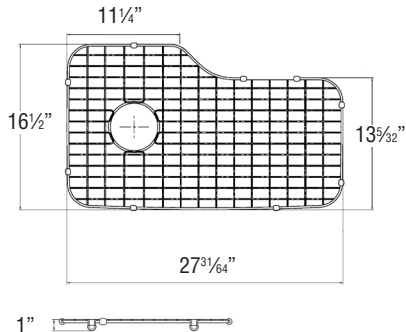
ASME A112.19.3/CSA B45.4

Notes

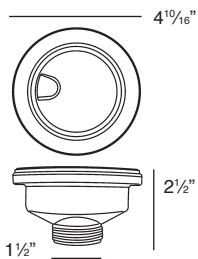
Install this product according to the installation instructions.

Optional Accessories

TSGM33221 Bottom Sink Grid

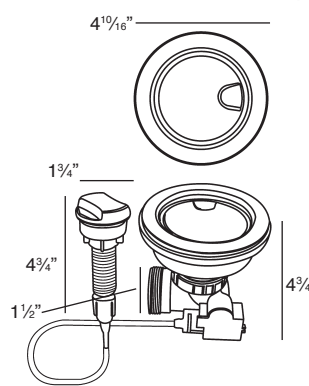


2210R Covered Flip Top Sink Strainer.



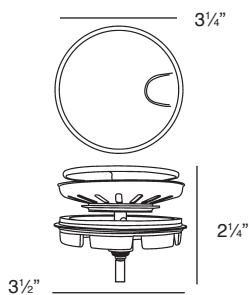
Water drains easily when cover is in place. Cover flips up with easy touch. Cover makes a flat surface at the sink bottom that prevents food waste from getting into the strainer basket for easy sink clean up. Polypropylene housing. Fits standard 3 1/2" opening.

2310 Remote Covered Flip Top Sink Strainer.



Turn the remote knob to open and close drain. Water drains easily when cover is in place. Cover flips up with easy touch. Cover makes a flat surface at the sink bottom that prevents food waste from getting into the strainer basket for easy sink clean up. Polypropylene housing. Fits standard 3 1/2" opening. 1 3/8" hole required in countertop for remote installation. Remote cable 25 1/2" L.

4010 Covered Flip Top Disposer Strainer.



Water drains easily when cover is in place. Cover flips up with easy touch. Polypropylene housing. Top mount installation for 3 1/2" opening.