

**Features**

- 31½" (800) x 18<sup>5</sup>/<sub>16</sub>" (465) x 9" (229) undermount kitchen sink.
- Super single compartment that is the size of a double bowl sink.
- 16 gauge 304 stainless steel.
- Center drain location.
- Brushed finish with highlight rim.
- Superior undercoating for added sound insulation.
- 3mm sound deadening pads on all 4 sink sides and bottom. Up to 3 times heavier than competitive models.
- Fits 36" base cabinet width.

**Components**

Product includes:  
Cutout Template  
Installation Hardware  
Installation Instructions

**Options**

TSGM32181 Stainless Steel Bottom Sink Grid  
TCBM1517 Bamboo Cutting Board  
2210R Covered Sink Strainer or  
4010 Covered Disposer Strainer

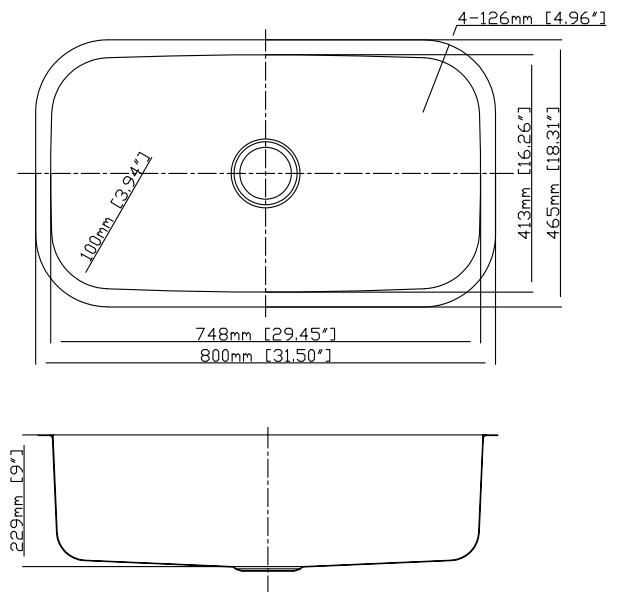
**Warranty**

- Lifetime Limited Warranty



**Specified Model**

Model	MUSS32189
Overall Dimensions	L31½" x W18 <sup>5</sup> / <sub>16</sub> " x D9" 800 x 465 x 229
Bowl Dimensions	L29 <sup>29</sup> / <sub>64</sub> " x W16 <sup>17</sup> / <sub>64</sub> " x D9" 748 x 413 x 229
Drain hole:	3 <sup>5</sup> / <sub>8</sub> " (92mm)
Shipping Weight	34 lbs.
Material	16 gauge 304 stainless steel
Installation	under counter mounted
Required	template, included



**Codes/Standards**

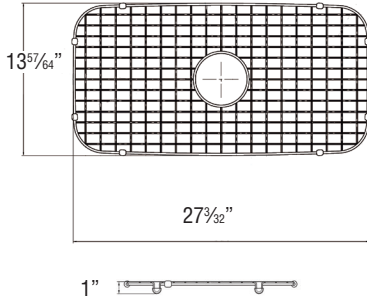
ASME A112.19.3/CSA B45.4

**Notes**

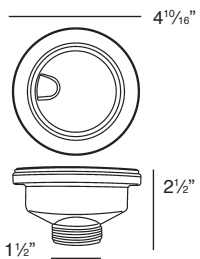
Install this product according to the installation instructions.

**Optional Accessories**

TSGM32181 Bottom Sink Grid

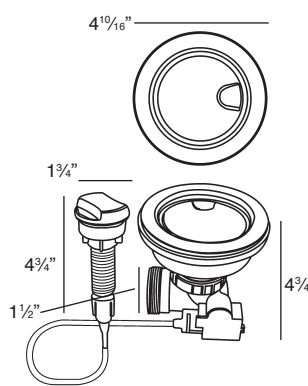


2210R Covered Flip Top Sink Strainer.



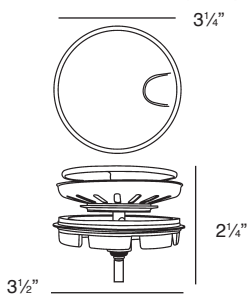
Water drains easily when cover is in place. Cover flips up with easy touch. Cover makes a flat surface at the sink bottom that prevents food waste from getting into the strainer basket for easy sink clean up. Polypropylene housing. Fits standard 3½" opening.

2310 Remote Covered Flip Top Sink Strainer.



Turn the remote knob to open and close drain. Water drains easily when cover is in place. Cover flips up with easy touch. Cover makes a flat surface at the sink bottom that prevents food waste from getting into the strainer basket for easy sink clean up. Polypropylene housing. Fits standard 3½" opening. 1⅝" hole required in countertop for remote installation. Remote cable 25½" L.

4010 Covered Flip Top Disposer Strainer.



Water drains easily when cover is in place. Cover flips up with easy touch. Polypropylene housing. Top mount installation for 3½" opening.