

FEATURES

- Decorative ADA compliant 1" diameter grab bars enhance the look of the shower while providing peace of mind and independent living.
- Concealed mounting.
- Heavy duty 304 stainless steel.
- Mounting hardware and mounting template included.

FINISH

- 3 finishes: polished chrome, brushed stainless, powder coat black

WARRANTY

- Lifetime Limited Residential / 5 Year Commercial

INSTALLATION REQUIREMENT

- Wood blocking is preferable behind all wall surfaces. Use framing studs for mounting when available. If wood blocking is not available, the following fasteners are suggested: Tile/Masonry-Plastic or lead Anchors Plaster/drywall-Toggle bolts.



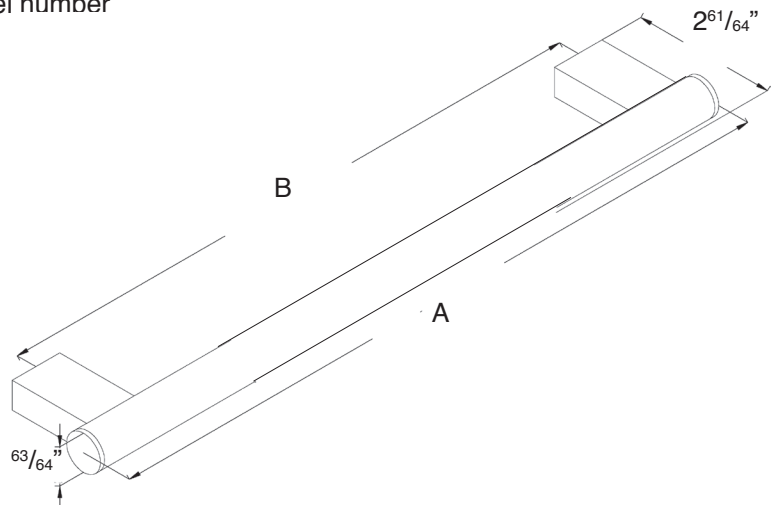
To Be Specified:

	MODEL NO.	DESCRIPTION	Length		Dia.	Depth
			A	B		
<input type="checkbox"/>	MS12-	12" Grab Bar	13 ⁵⁵ / ₆₄ "	11 ¹³ / ₁₆ "	1"	2 ⁶¹ / ₆₄ "
<input type="checkbox"/>	MS16-	16" Grab Bar	17 ⁵¹ / ₆₄ "	15 ³ / ₄ "	1"	2 ⁶¹ / ₆₄ "
<input type="checkbox"/>	MS18-	18" Grab Bar	19 ⁴⁹ / ₆₄ "	17 ²³ / ₃₂ "	1"	2 ⁶¹ / ₆₄ "
<input type="checkbox"/>	MS24-	24" Grab Bar	25 ⁴³ / ₆₄ "	23 ⁵ / ₈ "	1"	2 ⁶¹ / ₆₄ "

TO ORDER add the finish code to end of model number

To Be Specified: Finish

	Code	Finish
<input type="checkbox"/>	PC	Polished Chrome
<input type="checkbox"/>	BS	Brushed Stainless
<input type="checkbox"/>	BK	Black



Compliance Certifications - Meets or Exceeds the Following Specifications



Meets the Americans with Disabilities Act guidelines and ANSI A117.1 requirements for accessible and usable building facilities-check local codes when installed per accessibility guidelines of the act.