

Features

- 15" (381) x 15" (381) x 9" (228) undermount kitchen sink.
- Single compartment.
- Handcrafted from 14 gauge 304 stainless steel. Channel grooves in sink bottom direct water to drain. Premium brushed finish.
- Beveled ledge around the top inside edge of the sink. The ledge allows a cutting board, colander and other accessories to easily glide across the length of the sink.
- Accessory Pocket in front is hidden from view and makes great storage for sponges, brushes and other kitchen tools used daily.
- Includes a stainless steel bottom sink grid and stainless covered flip-top sink strainer.
- Tight 5mm radius corners.
- Superior 7mm sound deadening pads.
- Fits 18" (457) base cabinet width.

Components

- Product includes:
- TSGP15151 Bottom Sink Grid
 - 2210R Covered Sink Strainer
 - Cutout Template
 - Installation Hardware
 - Installation Instructions

Warranty

- Lifetime Limited Warranty

Specified Model

Model	PUSB15159
Overall Dimensions	L15" x W15" x D9" 381 x 381 x 228
Bowl Dimensions	L11" x W10½" x D9" 279 x 266 x 228
Drain hole:	3⅝" (92mm)
Shipping Weight	23 lbs.
Material	14 gauge 304 stainless steel
Installation	under counter mounted
Required	template, included

To Be Specified

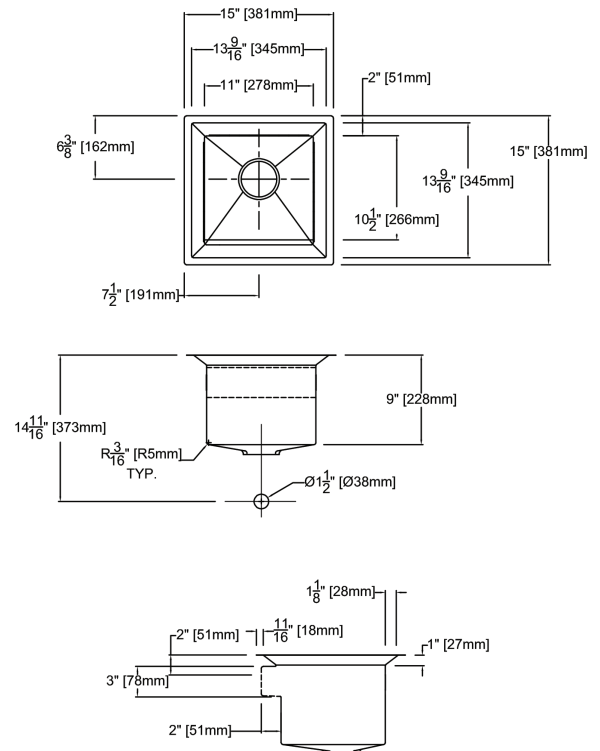
	Color/Finish
<input type="checkbox"/>	SS Brushed Stainless Steel
<input type="checkbox"/>	GM PVD Gun Metal
<input type="checkbox"/>	CP PVD Copper

Codes/Standards

ASME A112.19.3/CSA B45.4

Notes

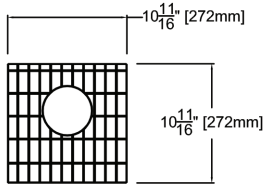
Install this product according to the installation instructions.



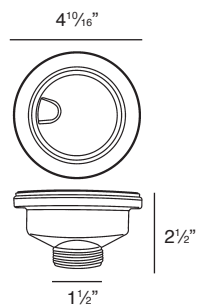
Components

Product includes:

TSGP15151 Bottom Sink Grid



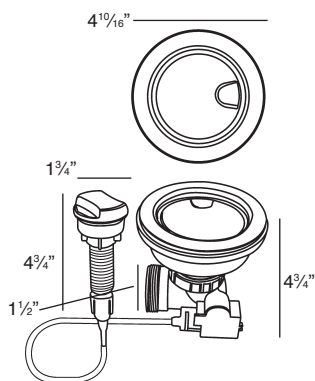
2210R Covered Flip Top Sink Strainer.



Water drains easily when cover is in place. Cover flips up with easy touch. Polypropylene housing. Fits standard 3 1/2" opening.

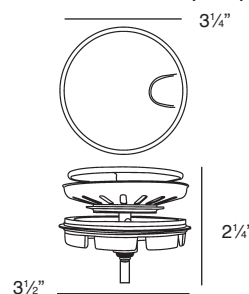
Optional Accessories

2310 Remote Covered Flip Top Sink Strainer.



Turn the remote knob to open and close drain. Water drains easily when cover is in place. Cover flips up with easy touch. Polypropylene housing. Fits standard 3 1/2" opening. 1 3/8" hole required in countertop for remote installation. Remote cable 25 1/2" L.

4010 Covered Flip Top Disposer Strainer.



Water drains easily when cover is in place. Cover flips up with easy touch. Polypropylene housing. Top mount installation for 3 1/2" opening.