

Features

- 33" (838) x 18½" (470) x 11" (279) undermount kitchen sink.
- Super single compartment that is the size of a double bowl sink.
- Handcrafted from 14 gauge 304 stainless steel. Channel grooves in sink bottom direct water to drain. Premium brushed finish.
- Beveled ledge around the top edge of the sink. The ledge allows cutting board, colander and other accessories to easily glide across the length of the sink.
- Accessory Pocket in apron front is hidden from view and makes great storage for sponges, brushes and other kitchen tools used daily.
- Includes a stainless steel bottom sink grid and stainless covered flip-top sink strainer.
- Tight 5mm radius corners.
- Superior 7mm sound deadening pads.
- Fits 36" (914) base cabinet width.

Components

- Product includes:
 TSGP33191 Bottom Sink Grid
 2210R Covered Sink Strainer
 Cutout Template
 Installation Hardware
 Installation Instructions

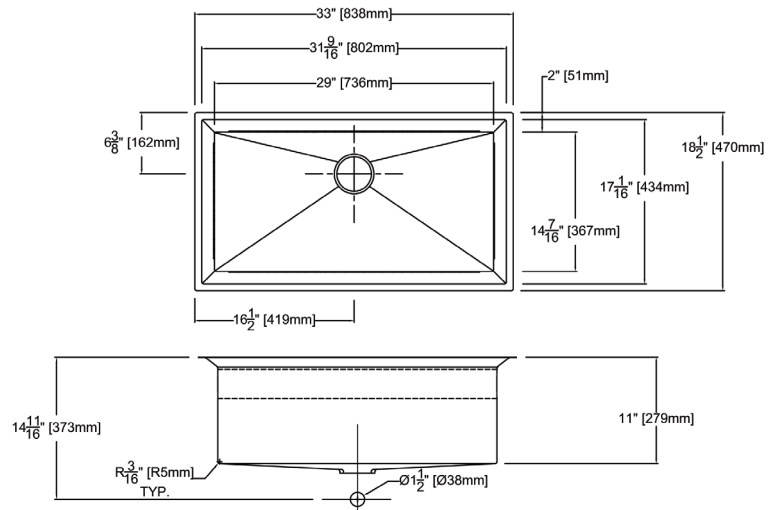
Warranty

- Lifetime Limited Warranty



Specified Model

Model	PUSS331911
Overall Dimensions	L33" x W18½" x D11" 838 x 470 x 279
Bowl Dimensions	L29" x W14⅞" x D11" 736 x 367 x 279
Drain hole:	3⅝" (92mm)
Shipping Weight	45 lbs.
Material	14 gauge 304 stainless steel
Installation	under counter mounted
Required	template, included



To Be Specified

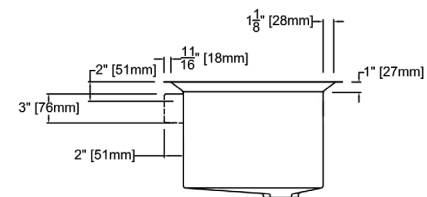
	Color/Finish
<input type="checkbox"/>	SS Brushed Stainless Steel
<input type="checkbox"/>	GM PVD Gun Metal
<input type="checkbox"/>	CP PVD Copper

Codes/Standards

ASME A112.19.3/CSA B45.4

Notes

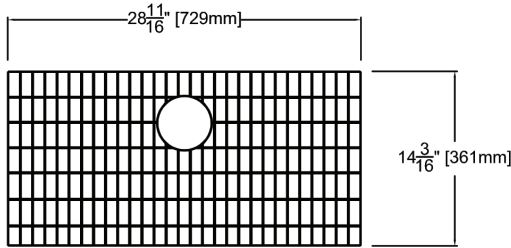
Install this product according to the installation instructions.



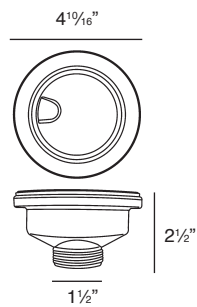
Components

Product includes:

TSGP33191 Bottom Sink Grid



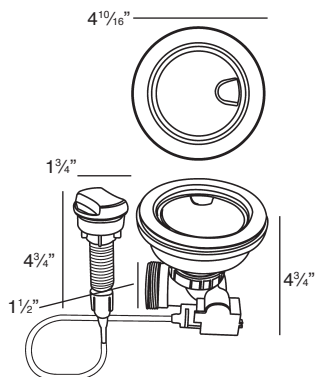
2210R Covered Flip Top Sink Strainer.



Water drains easily when cover is in place. Cover flips up with easy touch. Polypropylene housing. Fits standard 3½" opening.

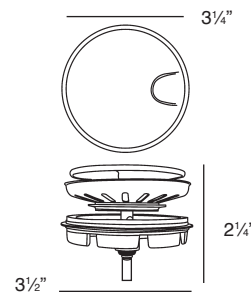
Optional Accessories

2310 Remote Covered Flip Top Sink Strainer.



Turn the remote knob to open and close drain. Water drains easily when cover is in place. Cover flips up with easy touch. Polypropylene housing. Fits standard 3½" opening. 1 3/8" hole required in countertop for remote installation. Remote cable 25½" L.

4010 Covered Flip Top Disposer Strainer.



Water drains easily when cover is in place. Cover flips up with easy touch. Polypropylene housing. Top mount installation for 3½" opening.