

**FEATURES**

- Rectangular vessel bathroom sink for above counter installation.
- Faucet deck with up to 4 faucet hole drillings.
- Vitreous china.
- Concealed drain with vitreous china drain cover.
- 5 Year Limited Residential Warranty / 1 Year Commercial Warranty

**COLOR**

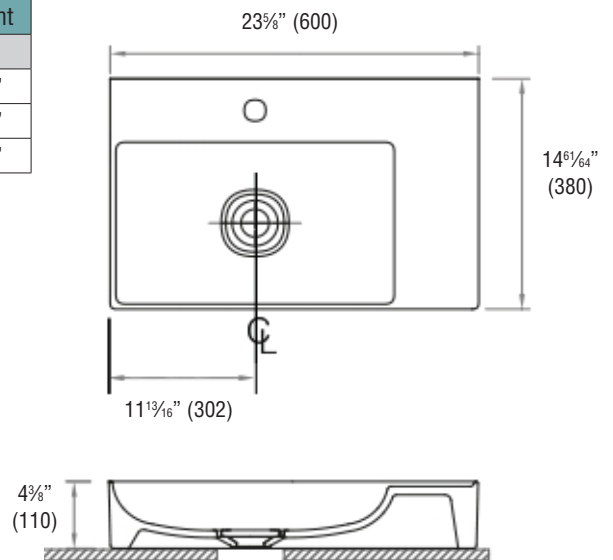
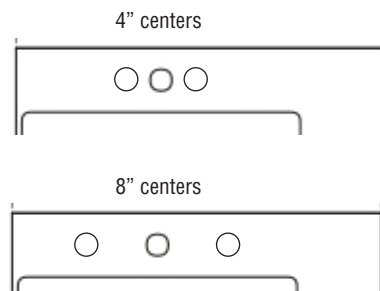
- White



**TOILETS/LAVS**

**Specified Model**

	MODEL NO.	DESCRIPTION	Length	Width	Height
<b>ABOVE COUNTER LAVATORY</b>					
<input type="checkbox"/>	TL-1661	Lavatory Vessel Bowl - 1 center hole	23 <sup>5</sup> / <sub>8</sub> "	14 <sup>6</sup> / <sub>16</sub> "	4 <sup>3</sup> / <sub>8</sub> "
<input type="checkbox"/>	TL-1664	Lavatory Vessel Bowl - 4" centers	23 <sup>5</sup> / <sub>8</sub> "	14 <sup>6</sup> / <sub>16</sub> "	4 <sup>3</sup> / <sub>8</sub> "
<input type="checkbox"/>	TL-1668	Lavatory Vessel Bowl - 8" centers	23 <sup>5</sup> / <sub>8</sub> "	14 <sup>6</sup> / <sub>16</sub> "	4 <sup>3</sup> / <sub>8</sub> "



**Compliance Certifications -  
Meets or Exceeds the Following Specifications**

- ASME A112.19.2M-1998
- Canadian Uniform Plumbing Code 2002
- UPC®

These measurements are subject to change or cancellation. No responsibility is assumed for use of superceded or voided pages.