

### FEATURES

- Close coupled 2-pc. toilet. Combination elongated front bowl and tank, less seat.
- 12" (305mm) rough-in.
- Vitreous china.
- 1000 gram MaP flushing performance.
- High efficiency (1.28 gpf/4.8 Lpf).
- Gravity feed, siphon action bowl.
- 2 1/8" fully-glazed trapway.
- 3" diameter flush valve maximizes flow rate and water pressure to bowl.
- 17" comfort height. ADA compliant.
- Chrome trip lever.
- 2 color-matched bolt caps.
- 5 Year Limited Residential Warranty / 1 Year Commercial Warranty

### COLORS

- White
- Biscuit

### OPTIONS

- Tank with right-hand trip lever.

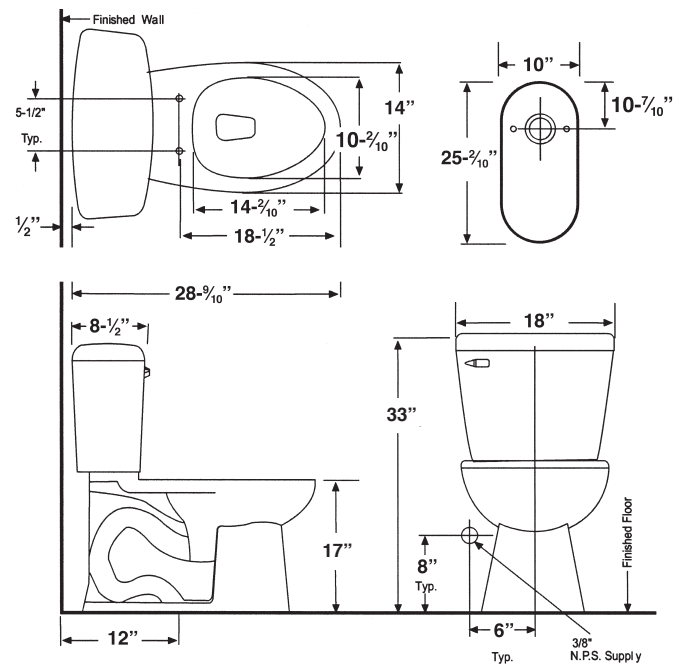


### Specified Model

	MODEL NO.	DESCRIPTION	Length	Width	Height
<b>COMPLETE TOILET KITS</b>					
<input type="checkbox"/>	TBT-1485	EL Bowl & LH Tank	28 9/10"	18"	33"
<input type="checkbox"/>	TBT-1485-01	EL Bowl & RH Tank	28 9/10"	18"	33"
<b>INDIVIDUAL COMPONENTS</b>					
<input type="checkbox"/>	TB-1485	Elongated Front Bowl	28 9/10"	14"	17"
<input type="checkbox"/>	TT-1480	Toilet Tank - LH Trip Lever	8 1/2"	18"	16"
<input type="checkbox"/>	TT-1480-01	Toilet Tank - RH Trip Lever	8 1/2"	18"	16"

**To Be Specified:** Color (see below)

<input type="checkbox"/>	<b>01</b> White
<input type="checkbox"/>	<b>08</b> Biscuit



### Compliance Certifications -

#### Meets or Exceeds the Following Specifications

- ASME A112.19.2M-1998
- Canadian Uniform Plumbing Code 2002
- UPC®



Meets the Americans with Disabilities Act guidelines and ANSI A117.1 requirements for accessible and usable building facilities-check local codes

This toilet is designed to rough-in at a minimum dimension of 305mm (12") from finished wall to C/L of outlet. Supply not included with fixture and must be ordered separately.

Dimension shown for location of supply is suggested. For additional information refer to installation instructions supplied.