

**Features**

- 35½" (902) x 22" (559) x 11" (279) undermount kitchen sink.
- Super single compartment that is the size of a double bowl sink.
- Farmhouse style with a wrap around 8<sup>13</sup>/<sub>16</sub>" (224) high curved apron front.
- Handcrafted from 14 gauge 304 stainless steel. Channel grooves in sink bottom direct water to drain. Premium brushed finish.
- Beveled ledge around the top edge of the sink. The ledge allows cutting board, colander and other accessories to easily glide across the length of the sink.
- Accessory Pocket in apron front is hidden from view and makes great storage for sponges, brushes and other kitchen tools used daily.
- Includes a stainless steel bottom sink grid and stainless covered flip-top sink strainer.
- Tight 5mm radius corners.
- Superior 7mm sound deadening pads.
- Fits 36" (914) minimum base cabinet width.

**Components**

- Product includes:
- TSGP36221 Bottom Sink Grid
  - 2210R Covered Sink Strainer
  - Cutout Template
  - Installation Hardware
  - Installation Instructions

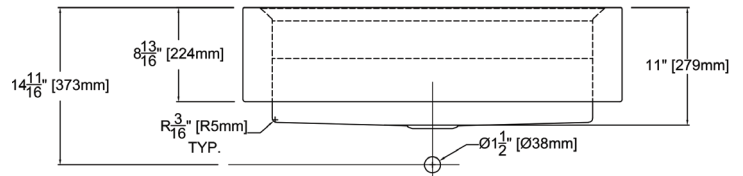
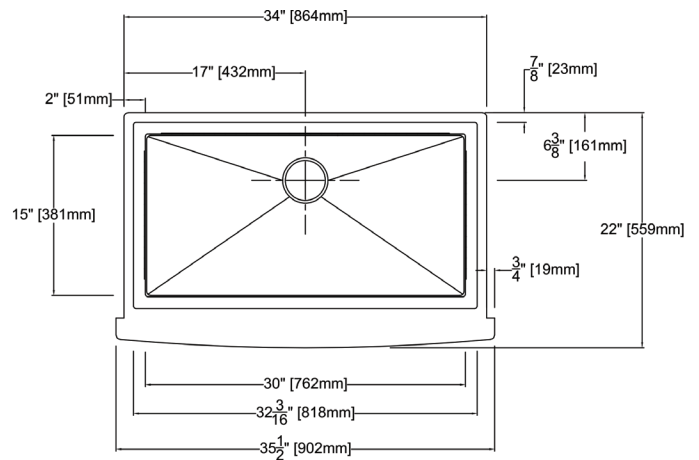
**Warranty**

- Lifetime Limited Warranty



**Specified Model**

Model	PUSSF362211
Overall Dimensions	L35½" x W22" x D11" 902 x 559 x 279
Bowl Dimensions	L30" x W15" x D11" 762 x 381 x 279
Drain hole:	3 <sup>5</sup> / <sub>8</sub> " (92mm)
Shipping Weight	64 lbs.
Material	14 gauge 304 stainless steel
Installation	under counter mounted
Required	template, included

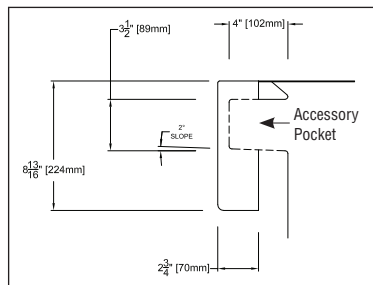


**Codes/Standards**

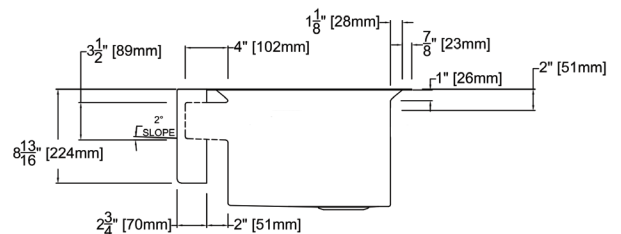
ASME A112.19.3/CSA B45.4

**Notes**

Install this product according to the installation instructions.



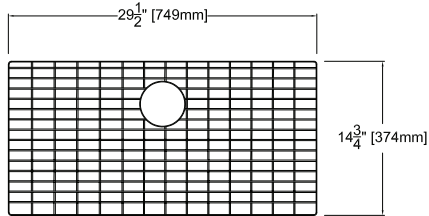
Accessory Pocket Detail



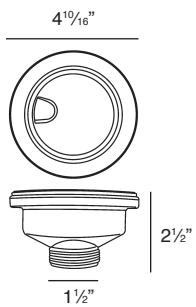
**Components**

Product includes:

TSGP36221 Bottom Sink Grid



2210R Covered Flip Top Sink Strainer.



Water drains easily when cover is in place. Cover flips up with easy touch. Polypropylene housing. Fits standard 3½" opening.

Optional 2310 Remote Covered Flip Top Sink Strainer is available.

Optional 4010 Covered Flip Top Disposer Strainer is available.

See Accessories to order.